

HSF PRELIMINARY

NOTES:

1. Contact Material: copper alloy;
2. Current Rating: 8A Max;
3. Contact Resistance: 20mΩ Max;
4. Operation Temperature: -40°C to +125°C;
5. Contact Plating:
Under Plating Nickel 30-50u" ;
Solder Area: Bright Tin 50-100u" Min;
NINCKEL UNDERPLATING OVERALL;
6. WIRE SIZE RANGE: 0.14-0.53mm²;
7. Insulation range: 1.02-1.55mm
8. RoHS COMPLIANT.

Ordering Information

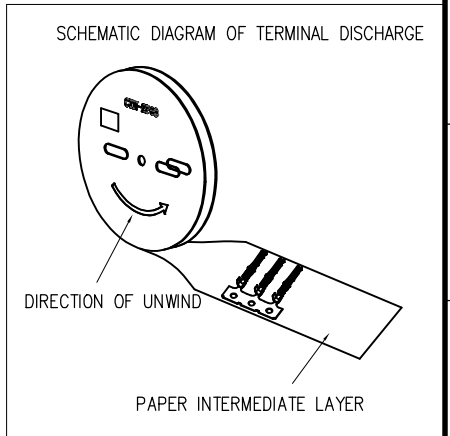
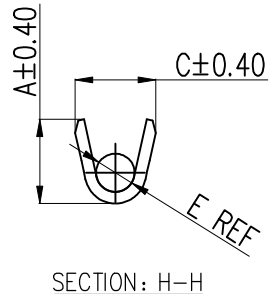
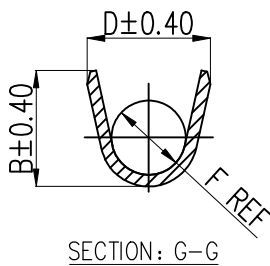
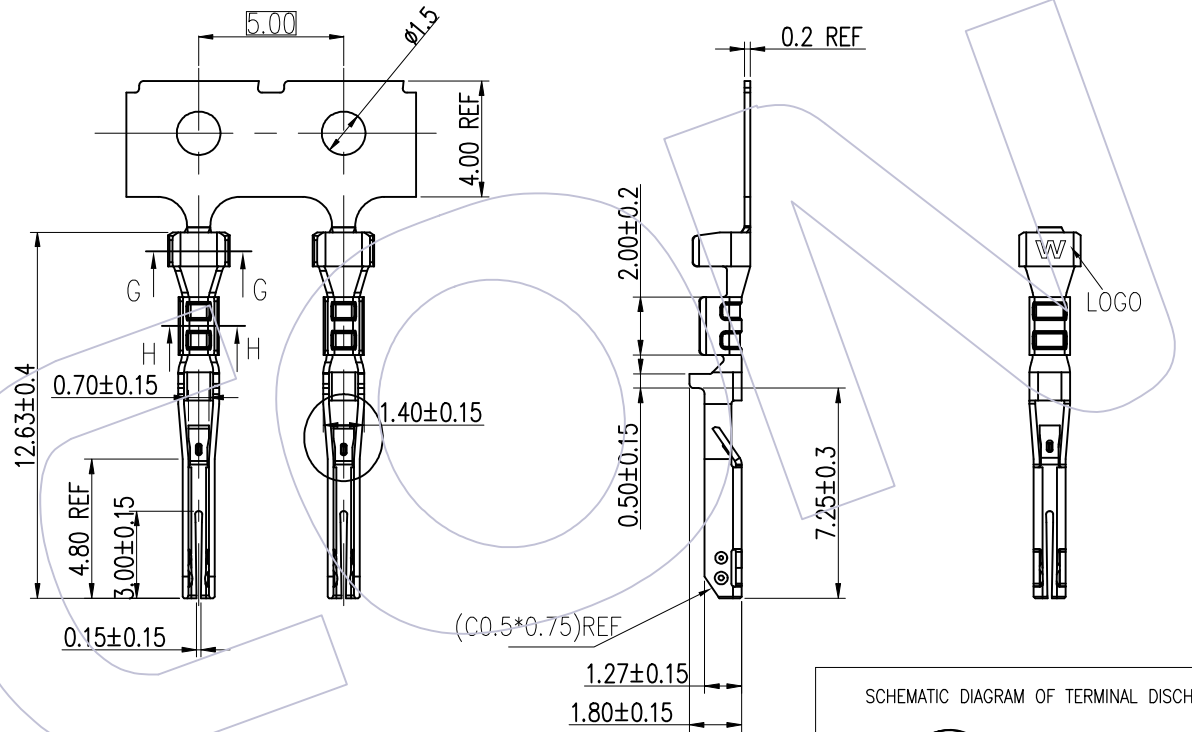
WF 2508-T C XX 0 X

TERMINAL

MATERIAL:
C=C7025

WCON INTERNAL CODE

CONTACT PLATING:
SN=TIN 50~100u"



PART NO	Wire Size		A	B	C	D	E	F	contact structure
	AWG	mm ²							
WF2508-TCSN01	#20	0.341~0.534	2.14	1.94	1.97	2.33	∅1.56	∅1	Convex
	#22								
WF2508-TCSN02	#24	0.140~0.221	1.45	2.00	1.39	2.12	∅0.66	∅1.28	Convex
	#26								

REV	DATE	MODIFICATION DESCRIPTION	CHANGE	OPERATION		DRAW	DATE	SCALE	Fit	PART NO.
				x.	±0.60					
				x.X	±0.40	CHECK	DATE		A4	TITLE: 2.5mm Terminal,"M"Type,Crimp Type
A0	2023/11/10	NEW		x.XX	±0.25	APPROVE	DATE		1/1	Customer NO.
				Angle	± 3'					
				DIM	TOL					

WCON
Http: www.wcon.com

WCON-Dongguan
Tel: +86 769 85358920
Fax: +86 769 85358915
E-mail: sales@wcon.com

WCON-Kunshan
Tel: +86 512 57468408
Fax: +86 512 57468468
E-mail: salesks@wcon.com