

HSF

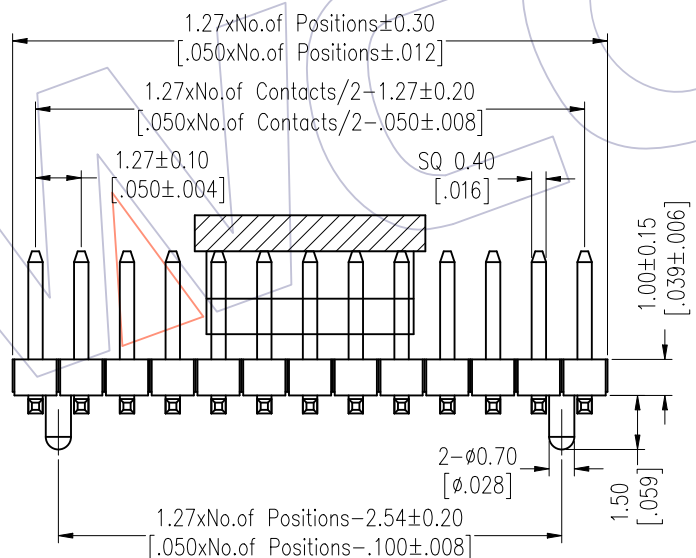
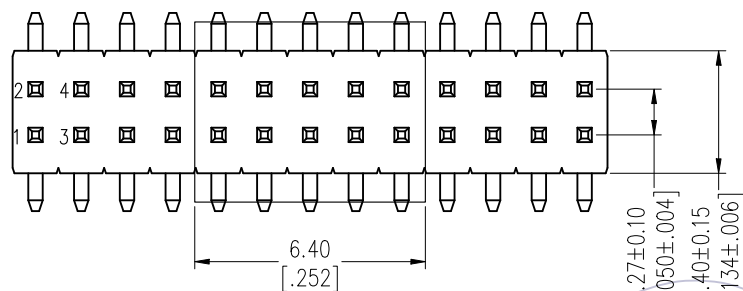
NOTES:
 Rated Current: 1.0AMP.
 Contact Resistance: 20mΩ Max.
 Withstand Voltage: 500V AC/DC
 Insulation Resistance: 1000MΩ Min.
 Operation Temperature: -40°C to +125°C(GOLD)
 -40°C to +105°C(TIN) Δ

Contact Material: Brass
 Contact Plating: Au or Sn Over Ni
 Insulator Material: PA9T+33%GF UL94V-0 BK

Ordering Information

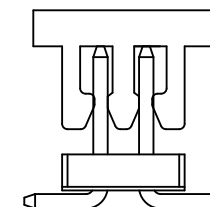
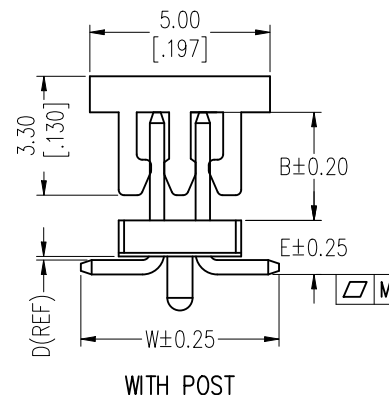
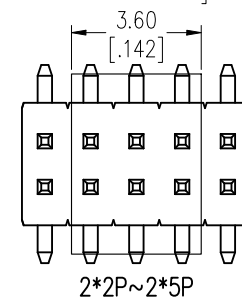
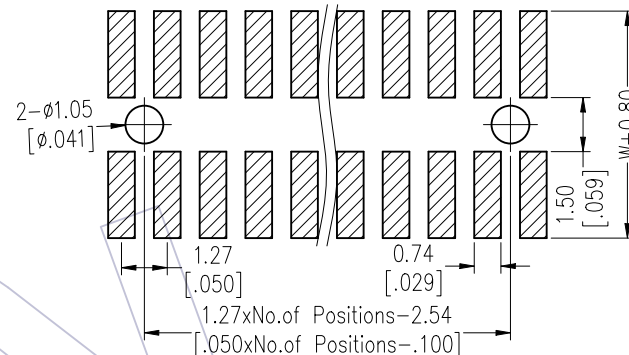
1310-12 XX XX M XXX C R XX

No. of Pins	Contact Plating	Pin Length	Insulator	Series No.
Per Row: 02~50	G0=Gold Flash	L=B+D+1.0+ $\frac{W+1.27}{2}$	C=PA9T	01~99
	G3=10u"Gold	Standard: 051=5.1		
	G4=15u"Gold	062=6.2		
	G5=30u"Gold	072=7.2		
	S0=Gold Flash/Tin		Packing	
	S3=10u"Gold/Tin		A=Tray	
	S4=15u"Gold/Tin		T=Tube	
	S5=30u"Gold/Tin		P=Tube+CAP	
	SN=Tin		R=Tape&Reel+CAP	
	SM=Matte Tin			



Recommended P.C.B Layout (Top Side)

(PCB BOARD TOLERANCE ±0.05)



Item	Pin Length	W	E	B	Mating
Standard	5.1	5.50	1.50	1.90	2321
	6.2	5.50	1.50	3.00	2334
	7.2	5.50	1.50	4.00	2344
Alternate					

REV	DATE	MODIFICATION DESCRIPTION	CHANGE	OPERATION	DRAW	DATE	SCALE	Fit	PART NO.
A3	2021/12/29	MODIFY CAP	Du Ying	OPERATION	Du Ying	2021/12/29	UNIT	mm	1310-12XXXXMXXXCXXX Δ
A2	2018/09/07	MODIFY	Ding	x.X ±0.40	CHECK	DATE	SIZE	[inch]	
A1	2018/01/12	MODIFY PART NO.	-----	x.XX ±0.25	APPROVE	DATE	SHEET	A4	TITLE: 1.27 Pin Header, DUAL ROW, SMT, H=1.0
A0	2012/03/13	NEW	-----	x.XXX ±0.15	APPROVE	DATE	PROJ.	1/1	
				Angle ± 3°					Customer NO.
				DIM TOL					

Δ	PIN	2-15P	16-30P	31-50P
	M	0.10	0.15	0.20

WCON

Http: www.wcon.com

WCON-Dongguan
 Tel: +86 769 85358920
 Fax: +86 769 85358915
 E-mail: sales@wcon.com

WCON-Kunshan
 Tel: +86 512 57468408
 Fax: +86 512 57468468
 E-mail: salesks@wcon.com