

HSF

NOTES:

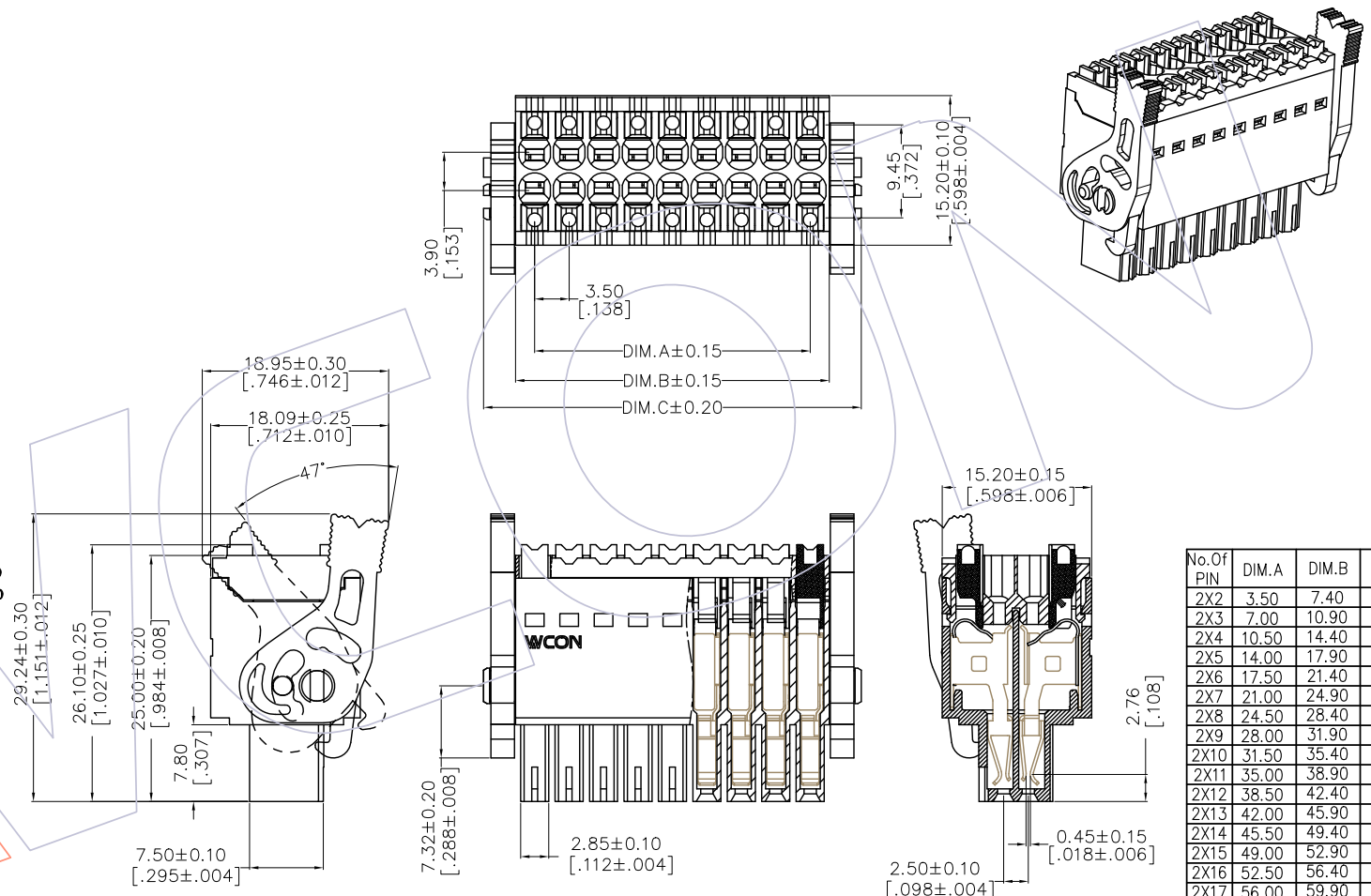
Rated Current: 9.5AMP
 Rated Voltage: 300V
 Contact Resistance: 20mΩ Max
 Withstand Voltage: 1600V AC
 Insulation Resistance: 1000MΩ Min
 Operation Temperature: -40℃ to +120℃

Contact Material: Copper Alloy
 Contact plating: 100u" Tin over 50u" nickel
 Insulator Material: PA66,G.F,UL94V-O,BK
 Cover Material: PA66,G.F,UL94V-O,BK

Ordering Information:

P F 350SW-2F XX X XX P 2 N

F=Female **Pitch 350=3.50** **No.of Pins 04-46P**
Contact Plated
 SN=Bright Tin
 SM=Matte Sn
Blank=W/T WCON Logo
 N=W/O WCON Logo
Color
 B=BLACK
 U=BLUE
 G=GREEN
 R=RED
Type
 W=With Handle



SECTION A-A
SCALE 1:1

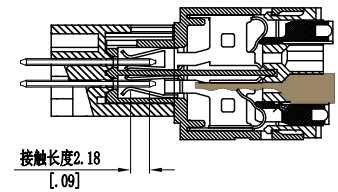
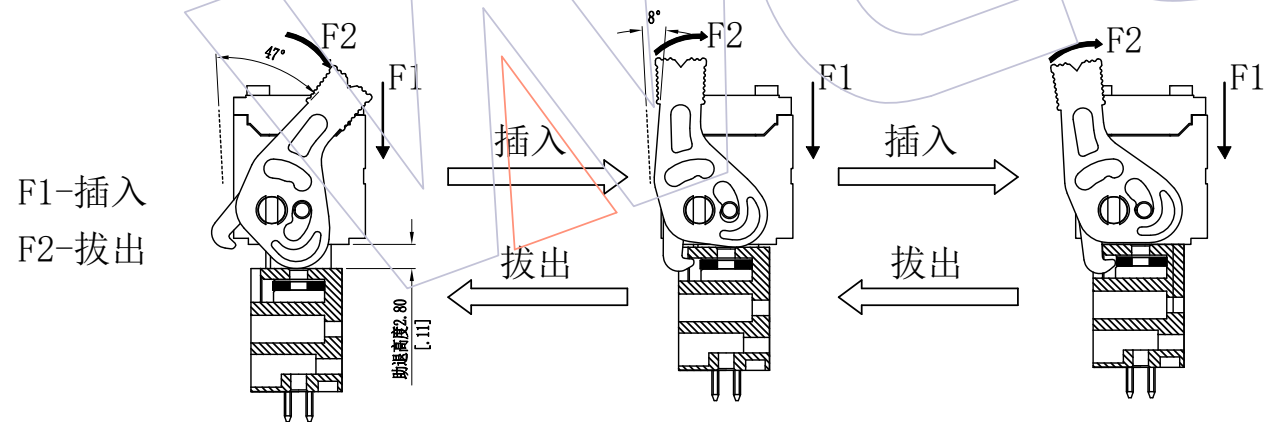
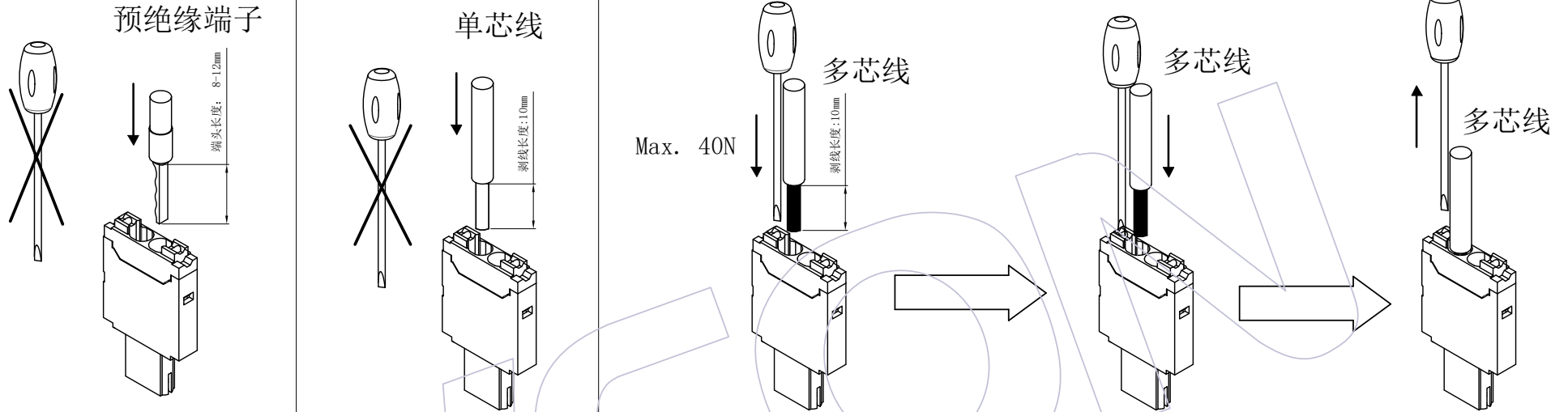
No.Of PIN	DIM.A	DIM.B	DIM.C
2X2	3.50	7.40	13.90
2X3	7.00	10.90	17.40
2X4	10.50	14.40	20.90
2X5	14.00	17.90	24.40
2X6	17.50	21.40	27.90
2X7	21.00	24.90	31.40
2X8	24.50	28.40	34.90
2X9	28.00	31.90	38.40
2X10	31.50	35.40	41.90
2X11	35.00	38.90	45.40
2X12	38.50	42.40	48.90
2X13	42.00	45.90	52.40
2X14	45.50	49.40	55.90
2X15	49.00	52.90	59.40
2X16	52.50	56.40	62.90
2X17	56.00	59.90	66.40
2X18	59.50	63.40	69.90
2X19	63.00	66.90	73.40
2X20	66.50	70.40	76.90
2X21	70.00	73.90	80.40
2X22	73.50	77.40	83.90
2X23	77.00	80.90	87.40

REV	DATE	MODIFICATION DESCRIPTION	CHANGE	OPERATION	DRAW	DATE	SCALE	FIT	PART NO.
				x.x ±0.40	Liu Hui	2018/11/29	UNIT	mm	PF350SW-2FXXXXXP2 (N)
				x.xx ±0.25	CHECK	DATE	SIZE	A4	TITLE:
				x.xxx ±0.15	APPROVE	DATE	SHEET	1/2	3.50*2.50mm Pluggable Terminal Block Dual Row, Female, W/T With Handle
				Angle ± 3°			PROJ.		Customer NO.
				DIM TOL					

WCON
 Http: www.wcon.com

WCON-Dongguan WCON-Kunshan
 Tel: +86 769 85358920 Tel: +86 512 57468408
 Fax: +86 769 85358915 Fax: +86 512 57468468
 E-mail: sales@wcon.com E-mail: salesks@wcon.com

HSF



				OPERATION	DRAW	DATE	SCALE	FIT	PART NO.
				x.x ±0.40	Liu Hui	2018/11/29	UNIT	mm	PF350SW-2FXXXXXP2 (N)
				x.xx ±0.25	CHECK	DATE	SIZE	A4	TITLE:
				x.xxx ±0.15	APPROVE	DATE	SHEET	2/2	3.50*2.50mm Pluggable Terminal Block
AO	2018/11/29	NEW		Angle ± 3°			PROJ.	Customer NO.	Dual Row, Female, W/T With Handle
REV	DATE	MODIFICATION DESCRIPTION	CHANGE	DIM TOL					

WCON
 Http: www.wcon.com

WCON-Dongguan
 Tel: +86 769 85358920
 Fax: +86 769 85358915
 E-mail: sales@wcon.com

WCON-Kunshan
 Tel: +86 512 57468408
 Fax: +86 512 57468468
 E-mail: salesks@wcon.com