

# HSF

**NOTES:**

Rated Current: 1.5AMP.(20°C, 2\*2P-2\*15P)  
 1.0AMP.(20°C, 2\*16P-2\*50P)  $\triangle A2$

Contact Resistance: 20mΩ Max.

Withstand Voltage: 500V AC/DC

Insulation Resistance: 1000MΩ Min.  $\triangle A2$

Operation Temperature: -40°C to +125°C(Gold Plating)  $\triangle A2$   
 -40°C to +105°C(Tin Plating)

Contact Material: Copper Alloy

Contact Plating: Au or Sn Over 30u" Min Ni

Insulator Material: PA9T+G.F UL94V-0 BK  $\triangle A2$

**Ordering Information**

1325-2 2 XX XX R XXX C X XX

Plastic Layer

Plastic Row

No. of Pins  
Per Row: 02-50

Contact Plating  
G0=Gold Flash  
G3=10u"Au, BG3=8u"PdNi+2u"Au  
G4=15u"Au, BG4=13u"PdNi+2u"Au  
G5=30u"Au, BG5=28u"PdNi+2u"Au  
S0=Gold Flash/Tin  
S3=10u"Au/Sn, P3=8u"PdNi+2u"Au/Sn  
S4=15u"Au/Sn, P4=13u"PdNi+2u"Au/Sn  
S5=30u"Au/Sn, P5=28u"PdNi+2u"Au/Sn  
SN=Bright Tin  
SM=Matte Tin

Series No.  
01-99

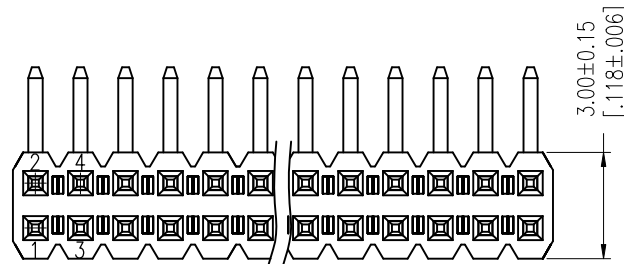
Packing  
A=Tray

Insulator Material  
C=PA9T(Standard)

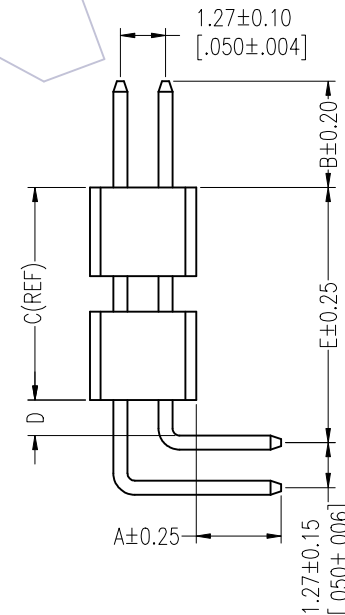
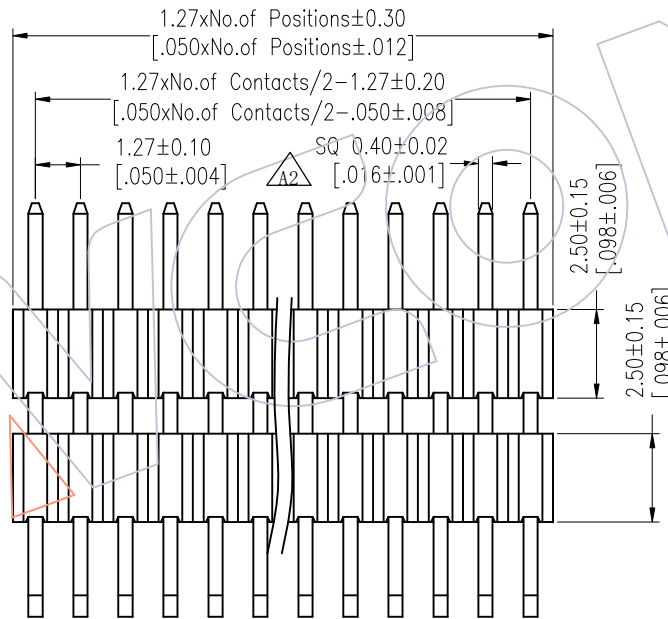
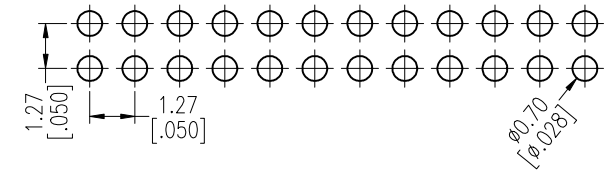
Pin Length  
L(See Table)

Type:  
R=R/A  $\triangle A2$

Item	Pin Length	A	D	C	E	B	Mating
Standard	12.8/15.5	3.00	1.0	6.0	7.2	2.0	2321/2320T
	13.8/16.5					3.0	2334/2344/2346
	14.3/17.0					3.5	2357
	15.3/18.0					4.5	2345/2385
Standard	11.8/14.5	2.0 (THR)	1.0	6.0	7.2	2.0	2321/2320T
	12.8/15.5					3.0	2334/2344/2346
	13.3/16.0					3.5	2357
	14.3/17.0					4.5	2345/2385
Alternate							



Recommended P.C.B Layout (Top Side)  
 (PCB BOARD TOLERANCE±0.05)  
 (PCB Thickness: T=1.60m)



REV	DATE	MODIFICATION DESCRIPTION	CHANGE	OPERATION	DRAW	DATE	SCALE	Fit	PART NO.
A2	2025/09/05	Standardization Drawing	CP	x.X ±0.40	CP	2025/09/05	UNIT	mm [inch]	1325-22XXXXXXCXXX $\triangle A2$
A1	2018/01/18	MODIFY PART NO.	William Chen	x.xx ±0.25	CHECK	2025/09/05	SIZE	A4	TITLE: 1.27 Pin Header, DUAL ROW, R/A, DOUBLE PLASTIC, CONCAVE BENDING, H=2.5
AO	2012/03/31	NEW	William Chen	x.xxx ±0.15	TANG	2025/09/05	SHEET	1/2	Customer NO.
				Angle ± 3'	APPROVE	2025/09/05	PROJ.		
				DIM TOL	Steven Zhao				

**WCON**

Http: www.wcon.com

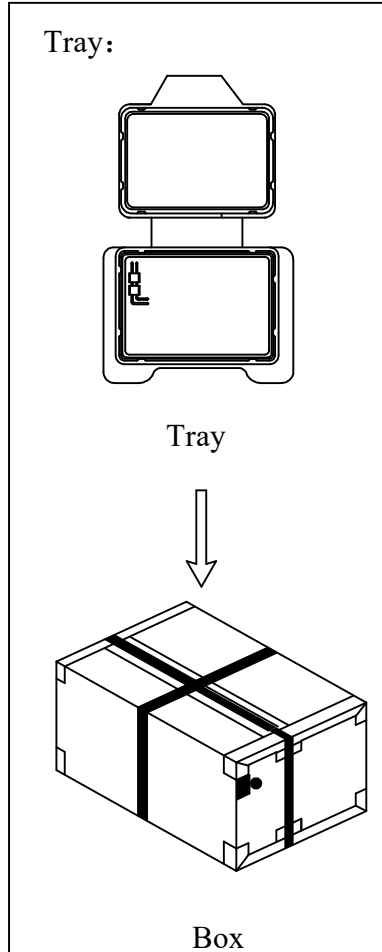
WCON-Dongguan  
Tel: +86 769 85358920  
Fax: +86 769 85358915  
E-mail: sales@wcon.com

WCON-Kunshan  
Tel: +86 512 57468408  
Fax: +86 512 57468468  
E-mail: sales@wcon.com

# HSF

Packing:

Packaging Quantity Refers To The Following Table



PINS /Row	Q' ty/Tray (11.8≤L≤13.8)	Q' ty/Box
1	700	33,600
2	350	16,800
3	250	12,000
4	150	7,200
5	150	7,200
6	100	4,800
7	100	4,800
8	80	3,840
9	80	3,840
10	70	3,360
11	70	3,360
12	60	2,880
13	60	2,880
14	50	2,400
15	50	2,400
16	40	1,920
17	40	1,920
18	40	1,920
19	40	1,920
20	30	1,440
21	30	1,440
22	30	1,440
23	30	1,440
24	30	1,440
25	30	1,440

PINS /Row	Q' ty/Tray (11.8≤L≤13.8)	Q' ty/Box
26	30	1,440
27	30	1,440
28	20	960
29	20	960
30	20	960
31	20	960
32	20	960
33	20	960
34	20	960
35	20	960
36	20	960
37	20	960
38	20	960
39	20	960
40	20	960
41	20	960
42	15	720
43	15	720
44	15	720
45	15	720
46	15	720
47	15	720
48	15	720
49	15	720
50	15	720

PINS /Row	Q' ty/Tray (13.8<L≤15.3)	Q' ty/Box
1	600	28,800
2	300	14,400
3	200	9,600
4	150	7,200
5	100	4,800
6	100	4,800
7	80	3,840
8	80	3,840
9	70	3,360
10	60	2,880
11	60	2,880
12	50	2,400
13	50	2,400
14	40	1,920
15	40	1,920
16	40	1,920
17	40	1,920
18	30	1,440
19	30	1,440
20	30	1,440
21	30	1,440
22	30	1,440
23	30	1,440
24	30	1,440
25	30	1,440

PINS /Row	Q' ty/Tray (13.8<L≤15.3)	Q' ty/Box
26	20	960
27	20	960
28	20	960
29	20	960
30	20	960
31	20	960
32	20	960
33	20	960
34	20	960
35	20	960
36	20	960
37	15	720
38	15	720
39	15	720
40	15	720
41	15	720
42	15	720
43	15	720
44	15	720
45	15	720
46	15	720
47	15	720
48	15	720
49	15	720
50	15	720

REV	DATE	MODIFICATION DESCRIPTION	CHANGE	OPERATION	DRAW	DATE	SCALE	Fit	PART NO.
A2	2025/09/05	Standardization Drawing	CP	x.X ±0.40	CP	2025/09/05	UNIT	mm [inch]	1325-22XXXXRXXXCXXX
A1	2018/01/18	MODIFY PART NO.	William Chen	x.xx ±0.25	CHECK	DATE	SIZE	A4	TITLE:
AO	2012/03/31	NEW	William Chen	x.xxx ±0.15	TANG	2025/09/05	SHEET	2/2	1.27 Pin Header, DUAL ROW, R/A, DOUBLE PLASTIC, CONCAVE BENDING, H=2.5
				Angle ± 3'	APPROVE	DATE	PROJ.		Customer NO.
				DIM TOL	Steven Zhao	2025/09/05			

Http: [www.wcon.com](http://www.wcon.com)

<p>WCON-Dongguan Tel: +86 769 85358920 Fax: +86 769 85358915 E-mail: <a href="mailto:sales@wcon.com">sales@wcon.com</a></p>	<p>WCON-Kunshan Tel: +86 512 57468408 Fax: +86 512 57468468 E-mail: <a href="mailto:salesks@wcon.com">salesks@wcon.com</a></p>
---	--