

HSF

NOTES:

- Rated Current: 1.5AMP.(20°C, 2*2P-2*15P)
1.0AMP.(20°C, 2*16P-2*50P) $\triangle\triangle$
- Contact Resistance: 20mΩ Max.
- Withstand Voltage: 500V AC/DC
- Insulation Resistance: 1000MΩ Min.
- Operation Temperature: -40°C to +125°C (Gold Plating)
-40°C to +105°C (Tin Plating) $\triangle\triangle$
- Contact Material: Brass
- Contact Plating: Au or Sn Over Ni
- Insulator Material: PA9T+33%G.F UL94V-0 BK $\triangle\triangle$

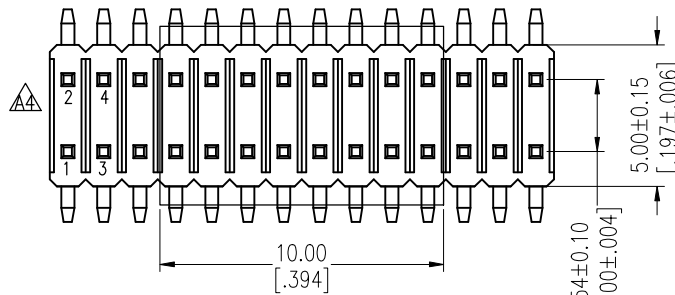
Ordering Information

1425-1 2 XX XX M XXX C R XX $\triangle\triangle$

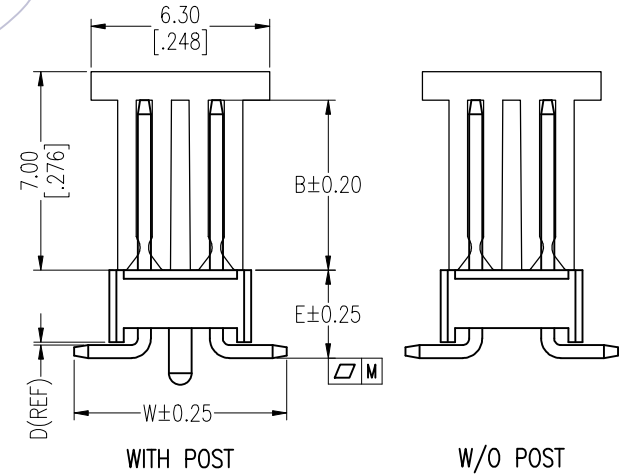
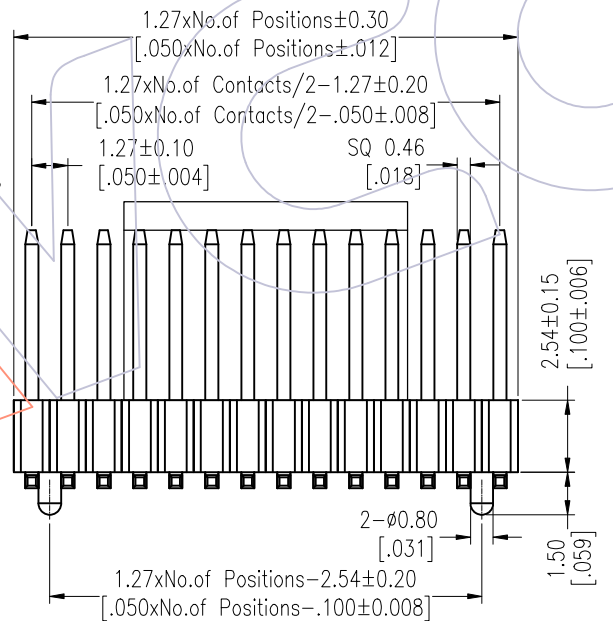
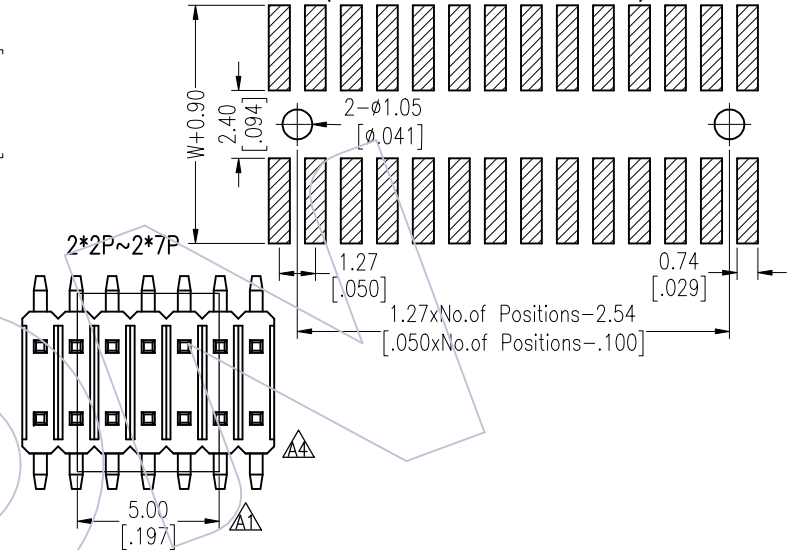
- Plastic Layer
- Plastic Row
- No. of Pins
- Per Row: 02-50
- Contact Plating
- G0=Gold Flash
- G3=10u"Au, BG3=8u"PdNi+2u"Au
- G4=15u"Au, BG4=13u"PdNi+2u"Au
- G5=30u"Au, BG5=28u"PdNi+2u"Au
- S0=Gold Flash/Tin
- S3=10u"Au/Sn, P3=8u"PdNi+2u"Au/Sn
- S4=15u"Au/Sn, P4=13u"PdNi+2u"Au/Sn
- S5=30u"Au/Sn, P5=28u"PdNi+2u"Au/Sn
- SN=Bright Tin
- SM=Matte Tin
- Series No. 01-99
- Packing T=Tube P=Tube+CAP R=Tape&Reel+CAP
- Insulator Material C=PA9T(Standard)
- Pin Length L(See Table)
- Type: M=SMT

PIN(PerRow)	2-15P	16-30P	31-50P
M	0.10	0.12	0.15

Item	Pin Length	W	D	E	B	Mating
Standard	7.0	7.5	0.1	3.1	2.0	2321/23201
	8.0				3.0	2334/2344/2346
	8.5				3.5	2357
	9.5				4.5	2345/2385
Alternate						



Recommended P.C.B Layout (Top Side)
(PCB BOARD TOLERANCE±0.05)
(PCB Thickness:T=1.60m)



REV	DATE	MODIFICATION DESCRIPTION	CHANGE	OPERATION	DRAW	DATE	SCALE	Fit	PART NO.
A4	2025/12/23	Standardization Drawing	CP	OPERATION	DRAW	2025/12/23	SCALE	Fit	1425-12XXXXMXXXCXXX $\triangle\triangle$
A3	2023/02/02	Add Flatness	Du Ying	X.X ±0.40	CP	2025/12/23	UNIT	mm [inch]	TITLE: 1.27*2.54 Pin Header, DUAL ROW, SMT, H=2.54
A2	2018/01/12	MODIFY PART NO.	William Chen	X.XX ±0.25	CHECK	2025/12/23	SIZE	A4	
A0	2012/04/06	NEW	-----	X.XXX ±0.15	TANG	2025/12/23	SHEET	1/3	
REV	DATE	MODIFICATION DESCRIPTION	CHANGE	Angle ± 3'	APPROVE	DATE	SHEET	1/3	Customer NO.
				DIM TOL	Steven Zhao	2025/12/23	PROJ.		

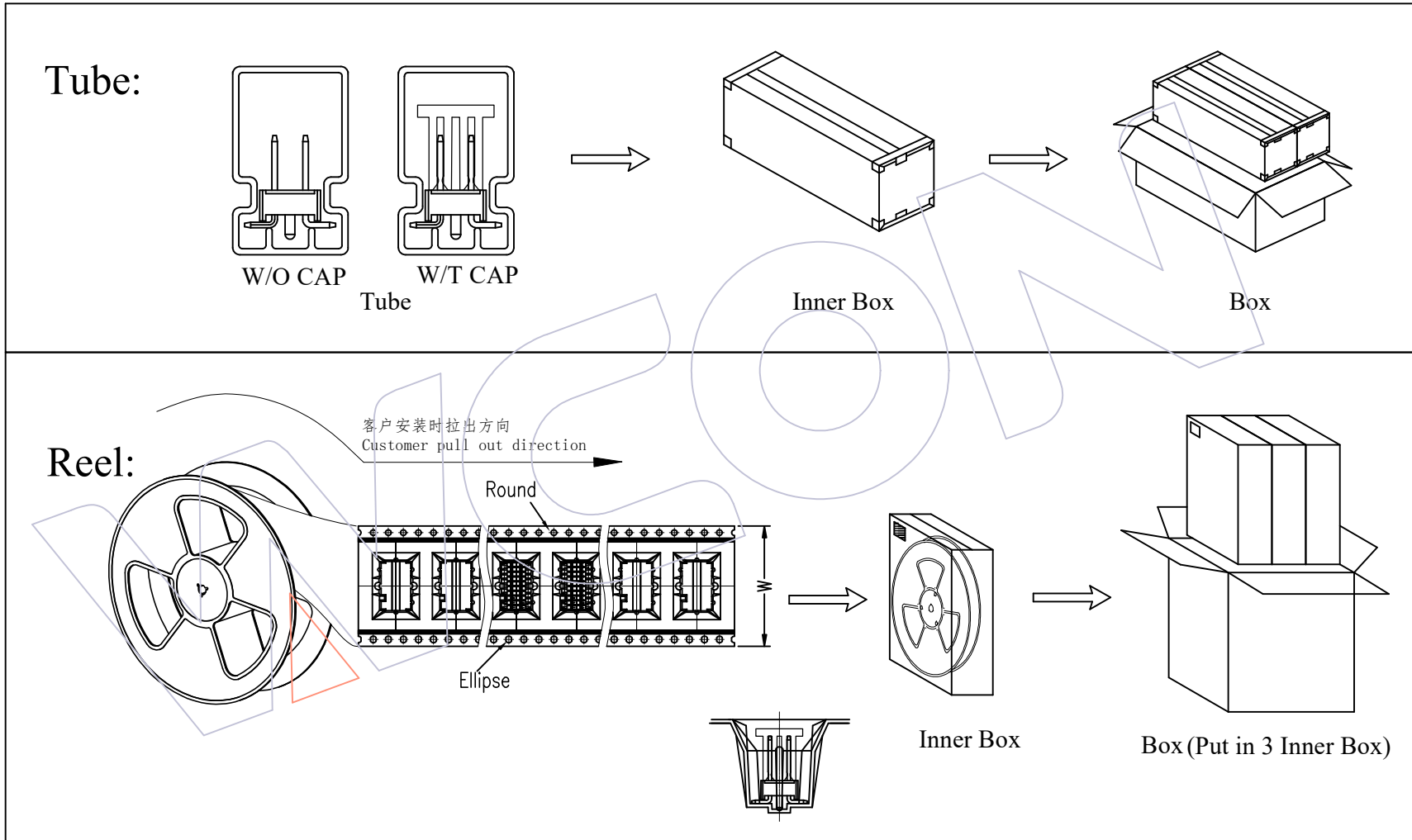
WCON
Http: www.wcon.com

WCON-Dongguan
Tel: +86 769 85358920
Fax: +86 769 85358915
E-mail: sales@wcon.com

WCON-Kunshan
Tel: +86 512 57468408
Fax: +86 512 57468468
E-mail: sales@wcon.com

HSF

Packing:



A4	2025/12/23	Standardization Drawing	CP	OPERATION	DRAW	DATE	SCALE	Fit	PART NO. 1425-12XXXXMXXXCXXX
A3	2023/02/02	Add Flatness	Du Ying	X.X ±0.40	CP	2025/12/23	UNIT	mm [inch]	
A2	2018/01/12	MODIFY PART NO.	William Chen	X.XX ±0.25	CHECK	DATE	SIZE	A4	TITLE: 1.27*2.54 Pin Header, DUAL ROW, SMT, H=2.54
A0	2012/04/06	NEW	-----	X.XXX ±0.15	TANG	2025/12/23	SHEET	2/3	
REV	DATE	MODIFICATION DESCRIPTION	CHANGE	Angle ± 3'	APPROVE	DATE	PROJ.		Customer NO.
				DIM TOL	Steven Zhao	2025/12/23			

WCON
Http: www.wcon.com

WCON-Dongguan WCON-Kunshan
Tel: +86 769 85358920 Tel: +86 512 57468408
Fax: +86 769 85358915 Fax: +86 512 57468468
E-mail: sales@wcon.com E-mail: salesks@wcon.com

HSF

Packaging Quantity Refers To The Following Table

PINS /Row	Q' ty/Tube	Q' ty/Inner Box	Q' ty/Box
4	113	13,560	27,120
5	91	10,920	21,840
6	76	9,120	18,240
7	65	7,800	15,600
8	57	6,840	13,680
9	50	6,000	12,000
10	45	5,400	10,800
11	41	4,920	9,840
12	38	4,560	9,120
13	35	4,200	8,400
14	32	3,840	7,680
15	30	3,600	7,200
16	28	3,360	6,720
17	26	3,120	6,240
18	25	3,000	6,000
19	24	2,880	5,760
20	22	2,640	5,280
21	21	2,520	5,040
22	20	2,400	4,800
23	19	2,280	4,560
24	19	2,280	4,560
25	18	2,160	4,320
26	17	2,040	4,080
27	16	1,920	3,840

PINS /Row	Q' ty/Tube	Q' ty/Inner Box	Q' ty/Box
28	16	1,920	3,840
29	15	1,800	3,600
30	15	1,800	3,600
31	14	1,680	3,360
32	14	1,680	3,360
33	13	1,560	3,120
34	13	1,560	3,120
35	13	1,560	3,120
36	12	1,440	2,880
37	12	1,440	2,880
38	12	1,440	2,880
39	11	1,320	2,640
40	11	1,320	2,640
41	11	1,320	2,640
42	10	1,200	2,400
43	10	1,200	2,400
44	10	1,200	2,400
45	10	1,200	2,400
46	9	1,080	2,160
47	9	1,080	2,160
48	9	1,080	2,160
49	9	1,080	2,160
50	9	1,080	2,160

PINS /Row	W	Q' ty/Reel	Q' ty/Inner Box	Q' ty/Box
2	24	330	990	2,970
3	24	330	990	2,970
4	24	330	990	2,970
5	24	330	990	2,970
6	24	330	990	2,970
7	24	330	990	2,970
8	24	330	990	2,970
9	32	330	660	1,980
10	32	330	660	1,980
11	32	330	660	1,980
12	44	330	660	1,980
13	44	330	660	1,980
14	44	330	660	1,980
15	44	330	660	1,980
16	44	330	660	1,980
17	44	330	660	1,980
18	44	330	660	1,980
19	44	330	660	1,980
20	44	330	660	1,980
21	56	330	330	990
22	56	330	330	990
23	56	330	330	990
24	56	330	330	990
25	56	330	330	990
26	56	330	330	990

PINS /Row	W	Q' ty/Reel	Q' ty/Inner Box	Q' ty/Box
27	56	330	330	990
28	56	330	330	990
29	56	330	330	990
30	72	330	330	990
31	72	330	330	990
32	72	330	330	990
33	72	330	330	990
34	72	330	330	990
35	72	330	330	990
36	72	330	330	990
37	72	330	330	990
38	72	330	330	990
39	72	330	330	990
40	72	330	330	990
41	72	330	330	990
42	72	330	330	990
43	88	330	330	990
44	88	330	330	990
45	88	330	330	990
46	88	330	330	990
47	88	330	330	990
48	88	330	330	990
49	88	330	330	990
50	88	330	330	990

A4	2025/12/23	Add Flatness	CP	OPERATION	DRAW	DATE	SCALE	Fit	PART NO. 1425-12XXXXMXXCXXX
A3	2023/02/02	Add Flatness	Du Ying	X.X ±0.40	CP	2025/12/23	UNIT	mm [inch]	
A2	2018/01/12	MODIFY PART NO.	William Chen	X.XX ±0.25	CHECK	DATE	SIZE	A4	
A0	2012/04/06	NEW	-----	X.XXX ±0.15	TANG	2025/12/23	SHEET	3/3	
REV	DATE	MODIFICATION DESCRIPTION	CHANGE	Angle ± 3'	APPROVE	DATE	PROJ.		TITLE: 1.27*2.54 Pin Header, DUAL ROW, SMT, H=2.54
				DIM TOL	Steven Zhao	2025/12/23			Customer NO.



WCON-Dongguan Tel: +86 769 85358920 Fax: +86 769 85358915 E-mail: sales@wcon.com	WCON-Kunshan Tel: +86 512 57468408 Fax: +86 512 57468468 E-mail: sales@wcon.com
---	--