

HSF

NOTES:

Rated Current:5.0AMP.(20°C,1*2P-1*15P)
 3.0AMP.(20°C,1*16P-1*40P) $\triangle A2$
 Contact Resistance:20mΩ Max.
 Withstand Voltage:1000V AC/DC
 Insulation Resistance:1000MΩ Min.
 Operation Temperature: -40°C to +125°C(Gold Plating) $\triangle A2$
 -40°C to +105°C(Tin Plating) $\triangle A2$

Contact Material:Copper Alloy
 Contact Plating:Au or Sn Over 30u" Min Ni $\triangle A2$
 Insulator Material:PA9T+G.F UL94V-0 BK $\triangle A2$

Ordering Information

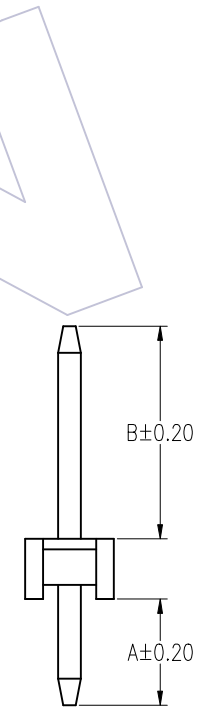
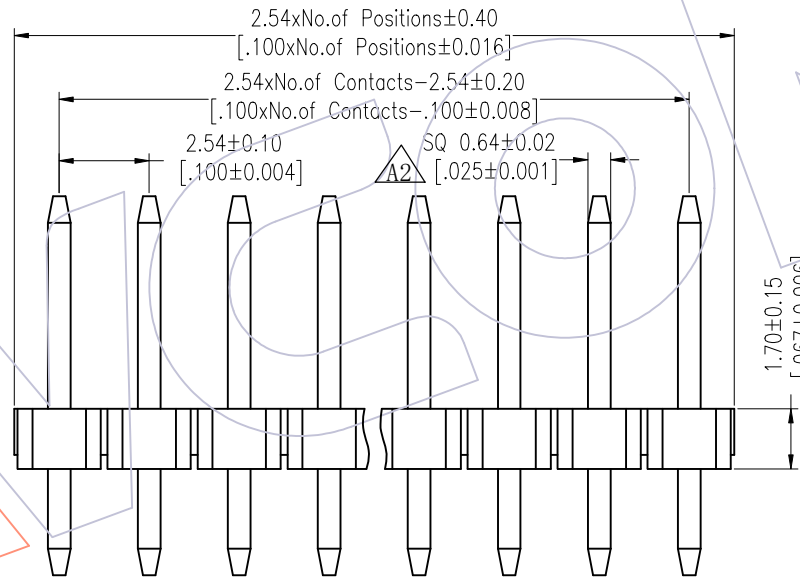
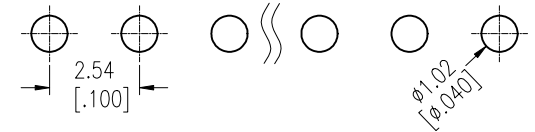
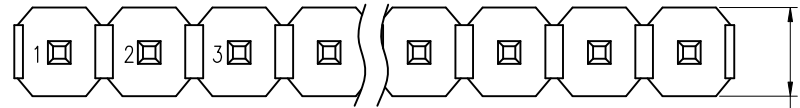
1117-11XX XX S XXX C 0 XX $\triangle A1$

Plastic Layer
 Plastic Row
 No. of Pins
 Per Row:02-40
 Contact Plating
 G0=Gold Flash
 G3=10u"Au, BG3=8u"PdNi+2u"Au
 G4=15u"Au, BG4=13u"PdNi+2u"Au
 G5=30u"Au, BG5=28u"PdNi+2u"Au
 S0=Gold Flash/Tin
 S3=10u"Au/Sn, P3=8u"PdNi+2u"Au/Sn
 S4=15u"Au/Sn, P4=13u"PdNi+2u"Au/Sn
 S5=30u"Au/Sn, P5=28u"PdNi+2u"Au/Sn
 SN=Bright Tin
 SM=Matte Tin $\triangle A2$

Series No.
 01-99
 Packing
 0=PE Bag
 T=Tube
 Insulator Material
 C=PA9T
 Pin Length
 L(See Table) $\triangle A2$
 Type:
 S:S/T

Item	Pin Length	A	B	Mating
Standard	8.0	3.00	3.5	2135/2150T/2157
	8.5		4.0	2145/2150
	9.5		5.0	2168T/2171T
	10.3		5.84	2171/2185X
Standard	7.0	2.0 (THR)	3.5	2135/2150T/2157
	7.5		4.0	2145/2150
	8.5		5.0	2168T/2171T
	9.3		5.84	2171/2185X
Alternate				

Recommended P.C.B Layout (Top Side)
 (PCB BOARD TOLERANCE±0.05)
 (PCB Thickness:T=1.60m)



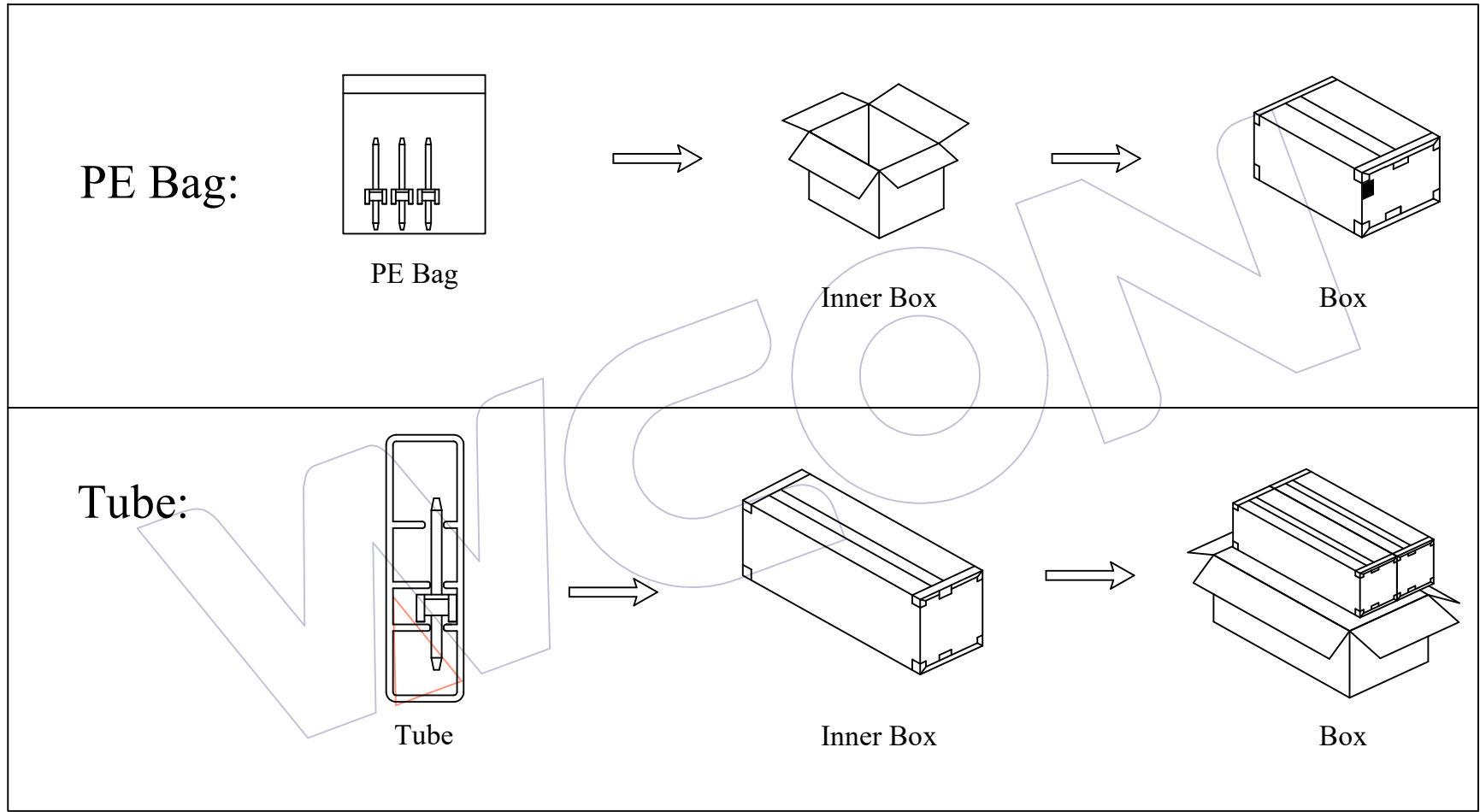
REV	DATE	MODIFICATION DESCRIPTION	CHANGE	OPERATION	DRAW	DATE	SCALE	Fit	PART NO.
A2	2018/01/22	Standardization Drawing	CP	x.X ±0.40	CP	2025/02/25	UNIT	mm	1117-11XXXXXXXCOXX
A1	2018/01/22	Modify P/N	Ruipeng	x.XX ±0.25	CHECK	DATE	SIZE	A4	TITLE:
AO	2012/05/04	NEW	William Chen	x.XXX ±0.15	TANG	2025/02/25	SHEET	1/3	PH2.54 SINGLE ROW 180° H=1.7
				Angle ± 3'	APPROVE	DATE	PROJ.		Customer NO.
				DIM TOL	Steven Zhao	2025/02/25			

WCON
 Http: www.wcon.com

WCON-Dongguan Tel: +86 769 85358920
 WCON-Kunshan Tel: +86 512 57468408
 Fax: +86 769 85358915
 Fax: +86 512 57468468
 E-mail: sales@wcon.com
 E-mail: salesks@wcon.com

HSF

Packing:



REV	DATE	MODIFICATION DESCRIPTION	CHANGE	DIM	TOL	OPERATION	DRAW	DATE	SCALE	Fit	PART NO.	TITLE:
A2	2018/01/22	Standardization Drawing	CP	x.X	±0.40	CP	CP	2025/02/25	UNIT	mm	1117-11XXXXXXXCOXX	PH2.54 SINGLE ROW 180° H=1.7
A1	2018/01/22	Modify P/N	Ruipeng	x.XX	±0.25	CHECK	CHECK	DATE	SIZE	A4	Customer NO.	
AO	2012/05/04	NEW	William Chen	x.XXX	±0.15	TANG	TANG	2025/02/25	SHEET	2/3		
				Angle	± 3'	APPROVE	APPROVE	DATE	PROJ.	⌀		
						Steven Zhao	Steven Zhao	2025/02/25				

WCON
[Http: www.wcon.com](http://www.wcon.com)
 WCON-Dongguan Tel: +86 769 85358920
 WCON-Kunshan Tel: +86 512 57468408
 Fax: +86 769 85358915 Fax: +86 512 57468468
 E-mail: sales@wcon.com E-mail: salesks@wcon.com

A
B
C
D
E
F
G

A
B
C
D
E
F
G

1 2 3 4 5 6 7 8 9 10


1 2 3 4 5 6 7 8 9 10

HSF

Packaging Quantity Refers To The Following Table

PINS	Q' ty/Bag (L≤10.0)	PINS	Q' ty/Bag (L≤10.0)	PINS	Q' ty/Bag (10.0<L≤16.0)	PINS	Q' ty/Bag (10.0<L≤16.0)
1	1000	21	300	1	1000	21	200
2	1000	22	300	2	1000	22	200
3	1000	23	300	3	1000	23	200
4	1000	24	300	4	1000	24	200
5	1000	25	300	5	1000	25	200
6	1000	26	300	6	1000	26	200
7	1000	27	300	7	1000	27	200
8	1000	28	300	8	500	28	200
9	1000	29	300	9	500	29	200
10	500	30	300	10	500	30	200
11	500	31	300	11	500	31	200
12	500	32	300	12	500	32	200
13	500	33	300	13	500	33	200
14	500	34	300	14	500	34	200
15	500	35	300	15	500	35	200
16	500	36	300	16	400	36	200
17	400	37	300	17	400	37	200
18	400	38	300	18	300	38	200
19	400	39	300	19	300	39	200
20	400	40	300	20	200	40	200

PINS	Q' ty/Tube	Q' ty/Inner Box	Q' ty/Box	PINS	Q' ty/Tube	Q' ty/Inner Box	Q' ty/Box
4	54	6,480	12,960	23	9	1,080	2,160
5	44	5,280	10,560	24	9	1,080	2,160
6	37	4,440	8,880	25	9	1,080	2,160
7	31	3,720	7,440	26	8	960	1,920
8	27	3,240	6,480	27	8	960	1,920
9	24	2,880	5,760	28	8	960	1,920
10	22	2,640	5,280	29	7	840	1,680
11	20	2,400	4,800	30	7	840	1,680
12	18	2,160	4,320	31	7	840	1,680
13	17	2,040	4,080	32	7	840	1,680
14	16	1,920	3,840	33	6	720	1,440
15	15	1,800	3,600	34	6	720	1,440
16	14	1,680	3,360	35	6	720	1,440
17	13	1,560	3,120	36	6	720	1,440
18	12	1,440	2,880	37	6	720	1,440
19	11	1,320	2,640	38	5	600	1,200
20	11	1,320	2,640	39	5	600	1,200
21	10	1,200	2,400	40	5	600	1,200
22	10	1,200	2,400				

REV	DATE	MODIFICATION DESCRIPTION	CHANGE	OPERATION	DRAW	DATE	SCALE	Fit	PART NO.	 Http: www.wcon.com WCON-Dongguan Tel: +86 769 85358920 WCON-Kunshan Tel: +86 512 57468408 Fax: +86 769 85358915 Fax: +86 512 57468468 E-mail: sales@wcon.com E-mail: salesks@wcon.com
A2	2018/01/22	Standardization Drawing	CP	x.X ±0.40	CP	2025/02/25	UNIT	mm	1117-11XXXXXXXCOXX	
A1	2018/01/22	Modify P/N	Ruipeng	x.XX ±0.25	CHECK	DATE	SIZE	A4	TITLE:	
AO	2012/05/04	NEW	William Chen	x.XXX ±0.15	TANG	2025/02/25	SHEET	3/3	PH2.54 SINGLE ROW 180° H=1.7	
				Angle ± 3'	APPROVE	DATE	PROJ.	Customer NO.		
				DIM TOL	Steven Zhao	2025/02/25				