

# HSF

**NOTES:**

Rated Current:5.0AMP.(20°C,1\*2P-1\*15P)  
3.0AMP.(20°C,1\*16P-1\*40P) A2

Contact Resistance:20mΩ Max.

Withstand Voltage:1000V AC/DC

Insulation Resistance:1000MΩ Min.

Operation Temperature:-40°C to +125°C(Gold Plating) A2  
-40°C to +105°C(Tin Plating) A2

Contact Material:Copper Alloy

Contact Plating: Au or Sn Over 30u" Min Ni A2  
Insulator Material:PA9T+G.F UL94V-0 BK A2

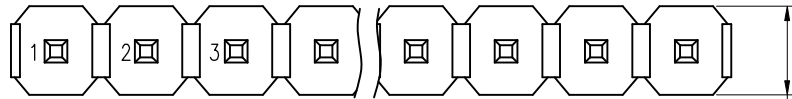
## Ordering Information

1117-2 1 XX XX S XXX C X XX A1

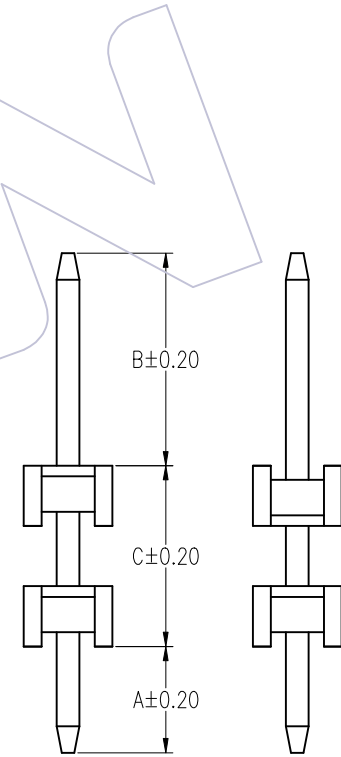
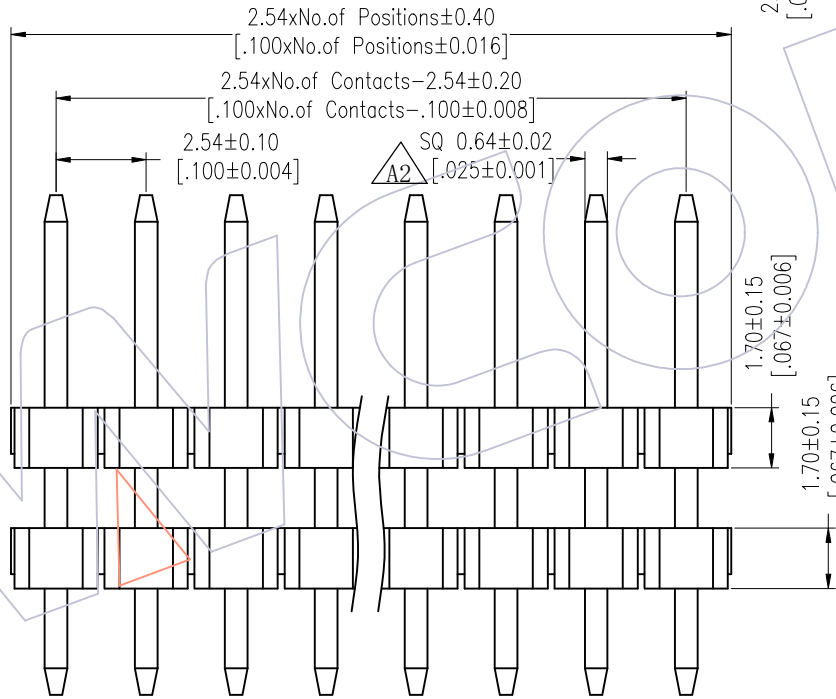
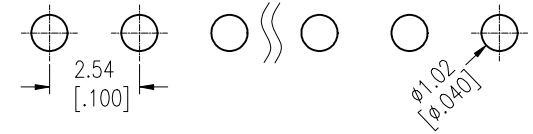
Plastic Layer  
Plastic Row  
No. of Pins Per Row:02-40  
Contact Plating  
G0=Gold Flash  
G3=10u"Au, BG3=8u"PdNi+2u"Au  
G4=15u"Au, BG4=13u"PdNi+2u"Au  
G5=30u"Au, BG5=28u"PdNi+2u"Au  
S0=Gold Flash/Tin  
S3=10u"Au/Sn, P3=8u"PdNi+2u"Au/Sn  
S4=15u"Au/Sn, P4=13u"PdNi+2u"Au/Sn  
S5=30u"Au/Sn, P5=28u"PdNi+2u"Au/Sn  
SN=Bright Tin  
SM=Matte Tin

Series No. 01-99  
Packing 0=PE Bag  
Insulator Material C=PA9T(Standard)  
Pin Length L(See Table)  
Type: S:S/T

Item	Pin Length	A	C	B	Mating
Standard	10.0	3.00	3.5	3.5	2135/2150T/2157
	10.5			4.0	2145/2150
	11.5			5.0	2168T/2171T
	12.3			5.84	2171/2185X
Alternate	9.0	2.0 (THR)	3.5	3.5	2135/2150T/2157
	9.5			4.0	2145/2150
	10.5			5.0	2168T/2171T
	11.3			5.84	2171/2185X



Recommended P.C.B Layout (Top Side)  
(PCB BOARD TOLERANCE ±0.05)  
(PCB Thickness: T=1.60mm)



TYPE 1                      TYPE 2

REV	DATE	MODIFICATION DESCRIPTION	CHANGE	OPERATION	DRAW	DATE	SCALE	Fit	PART NO.
A2	2025/07/17	Standardization Drawing	CP	x.X ±0.40	CP	2025/07/17	UNIT	mm	1117-21XXXXXXC0XX
A1	2018/01/22	Modify P/N	Ruipeng	x.XX ±0.25	CHECK	DATE	SIZE	A4	TITLE:
AO	2012/05/04	NEW	William Chen	x.XXX ±0.15	TANG	2025/07/17	SHEET	1/2	PH2.54 SINGLE ROW DOUBLE PLASTIC 180°H=1.7
				Angle ± 3'	APPROVE	DATE	PROJ.		Customer NO.
				DIM TOL	Steven Zhao	2025/07/17			

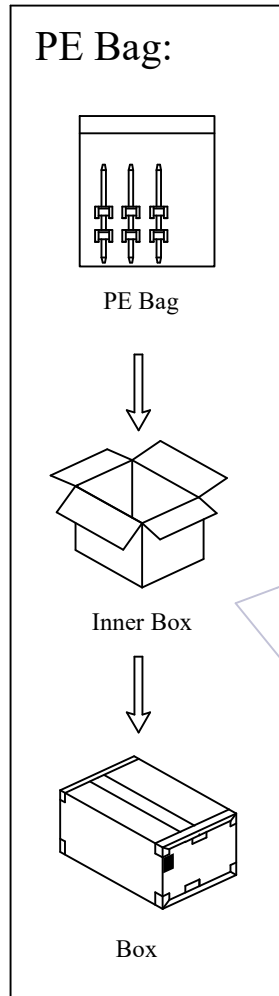
**WCON**  
Http: www.wcon.com

WCON-Dongguan Tel: +86 769 85358920 Fax: +86 769 85358915 E-mail: sales@wcon.com	WCON-Kunshan Tel: +86 512 57468408 Fax: +86 512 57468468 E-mail: sales@wcon.com
---	--

# HSF

Packing:

Packaging Quantity Refers To The Following Table



PINS	Q' ty/Bag (L≤10.0)	PINS	Q' ty/Bag (L≤10.0)	PINS	Q' ty/Bag (10.0<L≤16.0)	PINS	Q' ty/Bag (10.0<L≤16.0)
1	1000	21	300	1	1000	21	200
2	1000	22	300	2	1000	22	200
3	1000	23	300	3	1000	23	200
4	1000	24	300	4	1000	24	200
5	1000	25	300	5	1000	25	200
6	1000	26	300	6	1000	26	200
7	1000	27	300	7	1000	27	200
8	1000	28	300	8	500	28	200
9	1000	29	300	9	500	29	200
10	500	30	300	10	500	30	200
11	500	31	300	11	500	31	200
12	500	32	300	12	500	32	200
13	500	33	300	13	500	33	200
14	500	34	300	14	500	34	200
15	500	35	300	15	500	35	200
16	500	36	300	16	400	36	200
17	400	37	300	17	400	37	200
18	400	38	300	18	300	38	200
19	400	39	300	19	300	39	200
20	400	40	300	20	200	40	200

				OPERATION	DRAW	DATE	SCALE	Fit	PART NO.	 <a href="http://www.wcon.com">Http: www.wcon.com</a> WCON-Dongguan Tel: +86 769 85358920 WCON-Kunshan Tel: +86 512 57468408 Fax: +86 769 85358915 Fax: +86 512 57468468 E-mail: sales@wcon.com E-mail: salesks@wcon.com
A2	2025/07/17	Standardization Drawing	CP	x.X ±0.40	CP	2025/07/17	UNIT	mm	1117-21XXXXXXC0XX	
A1	2018/01/22	Modify P/N	Ruipeng	x.XX ±0.25	CHECK	DATE	SIZE	A4	TITLE:	
AO	2012/05/04	NEW	William Chen	x.XXX ±0.15	TANG	2025/07/17	SHEET	2/2	PH2.54 SINGLE ROW DOUBLE PLASTIC 180°H=1.7	
REV	DATE	MODIFICATION DESCRIPTION	CHANGE	Angle ± 3'	APPROVE	DATE	PROJ.		Customer NO.	
				DIM TOL	Steven Zhao	2025/07/17				