

HSF

NOTES:

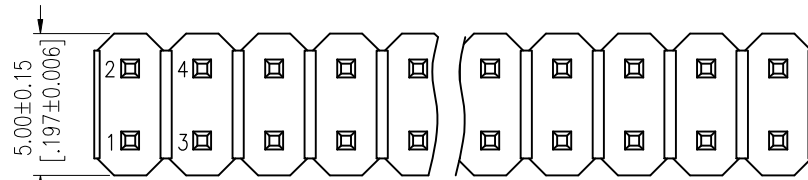
- Rated Current:5.0AMP.(20°C,2*2P-2*15P)
3.0AMP.(20°C,2*16P-2*40P) **A2**
- Contact Resistance:20mΩ Max.
- Withstand Voltage:1000V AC/DC
- Insulation Resistance:1000MΩ Min.
- Operation Temperature:-40°C to +125°C(Gold Plating)
-40°C to +105°C(Tin Plating) **A2**
- Contact Material:Copper Alloy
- Contact Plating:Au or Sn Over 30u" Min Ni **A2**
- Insulator Material:PA9T+G.F UL94V-0 BK **A2**

Ordering Information

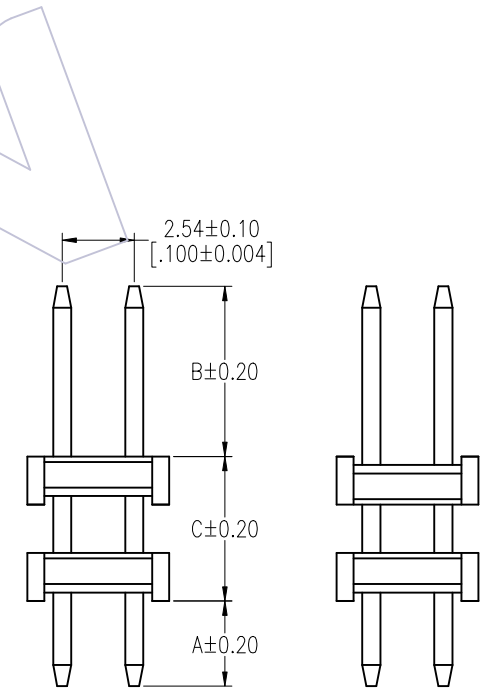
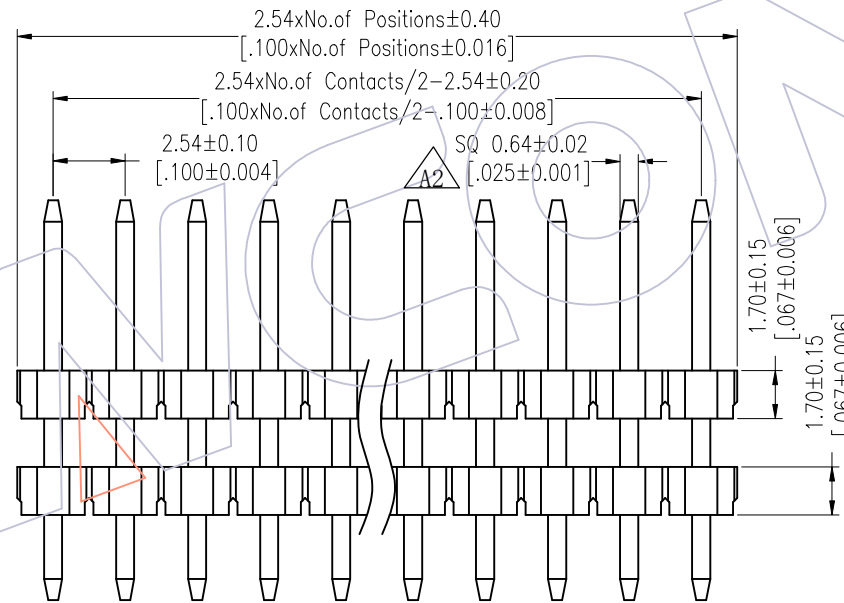
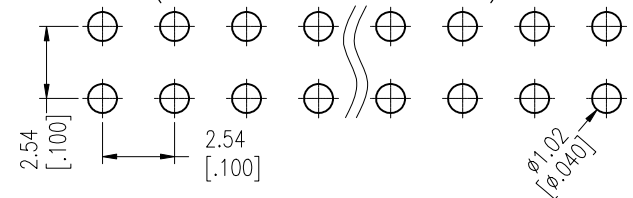
1117-2 2 XX XX S XXX C 0 XX **A1**

- Plastic Layer
- Plastic Row
- No. of Pins Per Row:02-40
- Contact Plating
- G0=Gold Flash
- G3=10u"Au, BG3=8u"PdNi+2u"Au
- G4=15u"Au, BG4=13u"PdNi+2u"Au
- G5=30u"Au, BG5=28u"PdNi+2u"Au
- S0=Gold Flash/Tin
- S3=10u"Au/Sn, P3=8u"PdNi+2u"Au/Sn
- S4=15u"Au/Sn, P4=13u"PdNi+2u"Au/Sn
- S5=30u"Au/Sn, P5=28u"PdNi+2u"Au/Sn
- SN=Bright Tin
- SM=Matte Tin
- Series No. 01-99
- Packing 0=PE Bag
- Insulator Material C=PA9T(Standard)
- Pin Length L(See Table)
- Type: S:S/T

Item	Pin Length	A	C	B	Mating
Standard	10.0	3.00	3.5	3.5	2135/2150T/2157
	10.5			4.0	2145/2150
	11.5			5.0	2168T/2171T
	12.3	2.0 (THR)	3.5	5.84	2171/2185X
	9.0			3.5	2135/2150T/2157
	9.5			4.0	2145/2150
Alternate	10.5			5.0	2168T/2171T
	11.3			5.84	2171/2185X



Recommended P.C.B Layout (Top Side)
(PCB BOARD TOLERANCE±0.05)
(PCB Thickness: T=1.60m)



TYPE 1

TYPE 2

REV	DATE	MODIFICATION DESCRIPTION	CHANGE	OPERATION	DRAW	DATE	SCALE	Fit	PART NO.
A2	2025/07/18	Standardization Drawing	CP	x.X ±0.40	CP	2025/07/18	UNIT	mm	1117-22XXXXSXXXC0XX
A1	2018/01/22	Modify P/N	Ruipeng	x.XX ±0.25	CHECK	2025/07/18	SIZE	A4	PH2.54 DUAL ROW DOUBLE PLASTIC 180° H=1.7
AO	2012/05/04	NEW	William Chen	x.XXX ±0.15	TANG	2025/07/18	SHEET	1/2	Customer NO.
				Angle ± 3'	APPROVE	2025/07/18	PROJ.		
				DIM TOL	Steven Zhao				

WCON

Http: www.wcon.com

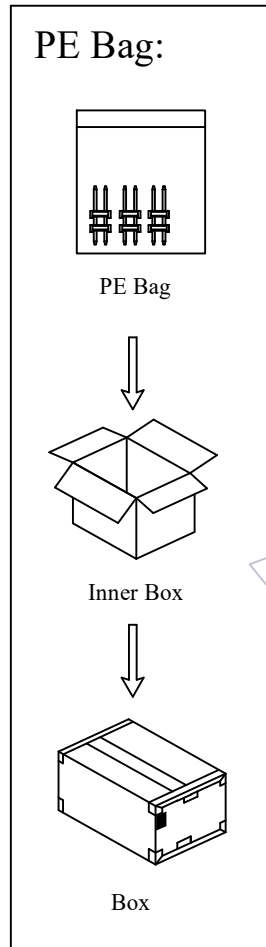
WCON-Dongguan
Tel: +86 769 85358920
Fax: +86 769 85358915
E-mail: sales@wcon.com

WCON-Kunshan
Tel: +86 512 57468408
Fax: +86 512 57468468
E-mail: salesks@wcon.com

HSF

Packing:

Packaging Quantity Refers To The Following Table



PINS	Q' ty/Bag (L≤10.0)	PINS	Q' ty/Bag (L≤10.0)	PINS	Q' ty/Bag (10.0<L≤16.0)	PINS	Q' ty/Bag (10.0<L≤16.0)
1	1000	21	200	1	1000	21	100
2	1000	22	200	2	1000	22	100
3	1000	23	200	3	1000	23	100
4	1000	24	200	4	1000	24	100
5	1000	25	200	5	1000	25	100
6	500	26	200	6	500	26	100
7	500	27	200	7	500	27	100
8	500	28	100	8	500	28	100
9	500	29	100	9	300	29	100
10	300	30	100	10	300	30	100
11	300	31	100	11	300	31	100
12	300	32	100	12	200	32	100
13	300	33	100	13	200	33	100
14	300	34	100	14	200	34	100
15	200	35	100	15	200	35	100
16	200	36	100	16	200	36	100
17	200	37	100	17	200	37	100
18	200	38	100	18	200	38	100
19	200	39	100	19	200	39	100
20	200	40	100	20	100	40	100

				OPERATION	DRAW	DATE	SCALE	Fit	PART NO.	 Http: www.wcon.com WCON-Dongguan Tel: +86 769 85358920 WCON-Kunshan Tel: +86 512 57468408 Fax: +86 769 85358915 Fax: +86 512 57468468 E-mail: sales@wcon.com E-mail: salesks@wcon.com
A2	2025/07/18	Standardization Drawing	CP	x.X ±0.40	CP	2025/07/18	UNIT	mm	1117-22XXXXSXXXCOXX	
A1	2018/01/22	Modify P/N	Ruipeng	x.XX ±0.25	CHECK	DATE	SIZE	A4	TITLE: PH2.54 DUAL ROW DOUBLE PLASTIC 180° H=1.7	
AO	2012/05/04	NEW	William Chen	x.XXX ±0.15	TANG	DATE	SHEET	2/2	Customer NO.	
REV	DATE	MODIFICATION DESCRIPTION	CHANGE	Angle ± 3'	APPROVE	DATE	PROJ.	⊕		
				DIM TOL	Steven Zhao	2025/07/18				