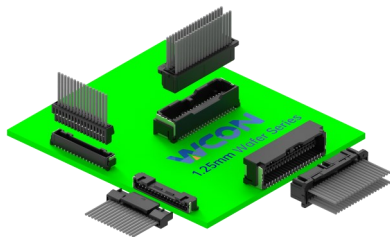


WF1258 Series

1.25mm pitch/Wire-to-board Connector



Overview

WF1258 series products are 1.25mm pitch high density, small size, double contact design can give the product contact stability, vibration resistance, shock resistance, and can provide-signal transmission for the device to provide a wire-to-board connector.

Features and Benefits

- Flexible and versatile installation methods
- Double bottoming design, stable contact
- Small size, high density
- Vibration and shock resistant

Product Applications

- Automotive:Steering, gear lever, entertainment audio
- Industrial: Robotic arms, drone transportation, network services

Standard 标准

- QC/T 1067,QCT 29106-,GB/T 5095

Material 材料

Part/零件	Material/材料	Finish/电镀	UL Flame retardant/阻燃等级
Housing/主体	PBT	Black/黑色	UL94V-0
Header/板端	PA9T	Black/黑色	UL94V-0
Terminal/端子	phosphor bronze 磷铜 (C5191)	Tin plated 镀锡	-

WF1258系列

1.25mm间距/线到板连接器

Two-piont contact
两点接触

概述

WF1258系列产品是一款1.25mm间距高密度、小体积，双触点的设计能给予产品接触稳定、抗振动、耐冲击的性能，同时能为设备提供信号传输的线到板连接器。

产品特点

- 灵活多样的安装方式
- 双触底设计、接触稳定
- 小体积、高密度
- 抗振动、耐冲击

应用领域

- 汽车：转向系统、换挡杆、娱乐影音
- 工业：机械手臂、无人机运输、网络服务

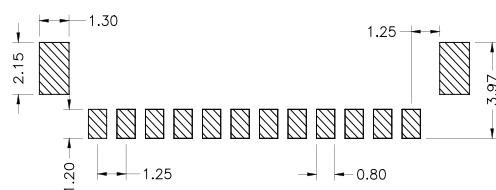
Production Specifications 产品规格

Current rating 额定电流	Double Row 双排: 2.4 A Max Single Row 单排: 3.6A Max	Operating temperature Range:-40° C~+125° C (including temperature rise) Operating Humidity Range:20-80% 工作温度范围: -40° C~+125° C(含温升) 工作湿度范围: 20-80%	Storage temperature: Operating Humidity: 储存温度: 25±5° C 储存湿度: ≤60%
Voltage rating 额定电压	50V		

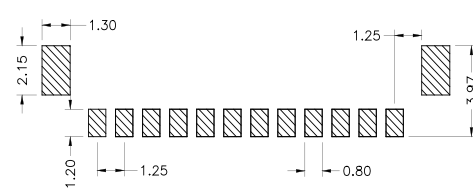
Item 项目	Condition 条件	Specification 规格
Insulation Resistance 绝缘电阻	Measured at 500V DC for 1 minute 测试电压: 500V DC/1分钟	No less than 100MΩ 不少于100MΩ
Withstanding voltage 耐电压	Measured at 500V AC for 1 minute 测试电压: 500V AC/1分钟	No breakdown, no discharge, leakage current <1.0mA 无击穿、无放电、漏电流<1.0mA
Contact Resistance 接触电阻	Measured at 100mA and no higher than 20mV 用20 mV DC进行测量	Contact resistance: Initial value/ 20 mΩ max After environmental tests/ 40 mΩ max. 接触电阻: 初始值 20 mΩ 以下 测试后 40 mΩ 以下
Vibration Resistance 抗振动	Frequency : 60 ~ 1200 Hz PSD value : 12.1g(rms) Duration : 8 h each CLASSES : V2 频率: 60 ~ 1200 Hz PSD 值: 12.1g(rms) 时长: 8小时/轴 等级: V2	No electrical discontinuity of 1μs or greater 试验过程中未发生1μs瞬断现象, 且外观无损伤, 电气性能正常
Humidity (Steady state) 湿度	Temperature : -40~+125° C Humidity: 90 ~95% (R.H) Duration : 24 hours 温度: -40~+125° C 湿度: 90~95% (R.H) 时间: 24小时	Contact resistance: Initial value/ 20 mΩ max After environmental tests/ 40 mΩ max. 接触电阻: 初始值 20 mΩ 以下 测试后 40 mΩ 以下
Salt Spry 盐雾	Temperature:35± 2°C Solution concentration : 5%NaCl PHValue : 6.5 ~ 7.2 Duration : 48hours 温度: 35±2° C 溶液浓度: 5%NaCl PH值: 6.5~7.2 时间: 48小时	Contact resistance: Initial value/ 20 mΩ max After environmental tests/ 40 mΩ max. 接触电阻: 初始值 20 mΩ 以下 测试后 40 mΩ 以下
Durability(Mating/un- mating) 插拔寿命	30 cycles 循环30次	Contact resistance: Initial value/ 20 mΩ max After environmental tests/ 40 mΩ max. 接触电阻: 初始值 20 mΩ 以下 测试后 40 mΩ 以下

PCB Layout 印刷电路板布局

(S/T)SMT type 表面贴装型 Single Row



(R/A)SMT type 表面贴装型 Single Row



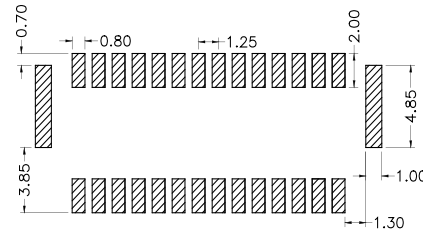
WF1258 Series

PCB Layout 印刷电路板布局

(S/T)SMT type 表面贴装型 Dual Row



(R/A)SMT type 表面贴装型 Dual Row

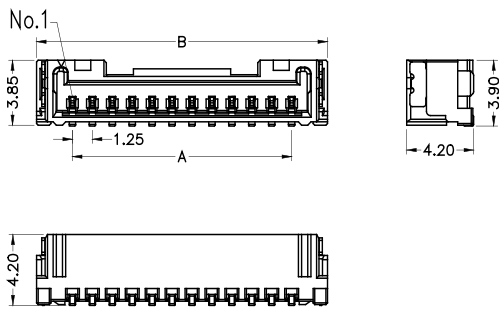


Ordering Information 订购信息

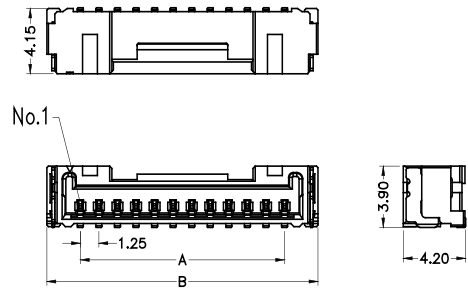
Circuit 芯数	Part number 型号		Dimensions 尺寸 (mm)		Package 包装 Q'ty/Reel 只/卷装		Remake 可量产状态	
	S/T SMT	R/A SMT	A	B	S/T SMT	R/A SMT	S/T SMT	R/A SMT
2	WF1258-WM02BRX	WF1258-WZ02BRX	1.25	4.30	1000	1200	*	*
3	WF1258-WM03BRX	WF1258-WZ03BRX	2.00	5.30	1000	1200	*	*
4	WF1258-WM04BRX	WF1258-WZ04BRX	3.00	6.30	1000	1200	*	*
5	WF1258-WM05BRX	WF1258-WZ05BRX	4.00	7.30	1000	1200	*	*
6	WF1258-WM06BRX	WF1258-WZ06BRX	5.00	8.30	1000	1200	*	*
7	WF1258-WM07BRX	WF1258-WZ07BRX	6.00	9.30	1000	1200	*	*
8	WF1258-WM08BRX	WF1258-WZ08BRX	7.00	10.30	1000	1200	*	*
9	WF1258-WM09BRX	WF1258-WZ09BRX	8.00	11.30	1000	1200	*	*
10	WF1258-WM10BRX	WF1258-WZ10BRX	9.00	12.30	1000	1200	*	*
11	WF1258-WM11BRX	WF1258-WZ11BRX	10.00	13.30	1000	1200	*	*
12	WF1258-WM12BRX	WF1258-WZ12BRX	11.25	14.30	1000	1200	*	*
13	WF1258-WM13BRX	WF1258-WZ13BRX	12.00	15.30	1000	1200	*	*
14	WF1258-WM14BRX	WF1258-WZ14BRX	13.00	16.30	1000	1200	*	*
15	WF1258-WM15BRX	WF1258-WZ15BRX	14.00	17.30	1000	1200	*	*
16	WF1258-WM16BRX	WF1258-WZ16BRX	15.00	18.30	1000	1200	*	*
17	WF1258-WM17BRX	WF1258-WZ17BRX	16.00	19.30	1000	1200	*	*
18	WF1258-WM18BRX	WF1258-WZ18BRX	17.00	20.30	1000	1200	*	*
19	WF1258-WM19BRX	WF1258-WZ19BRX	18.00	21.30	1000	1200	*	*
20	WF1258-WM20BRX	WF1258-WZ20BRX	19.00	22.30	1000	1200	*	*
2*4	WF1258-2WMH04BRX	WF1258-2WZH04BRX	3.75	9.60	500	420	*	*
2*5	WF1258-2WMH05BRX	WF1258-2WZH05BRX	5.00	10.85	500	420	*	*
2*6	WF1258-2WMH06BRX	WF1258-2WZH06BRX	6.25	12.10	500	420	*	*
2*7	WF1258-2WMH07BRX	WF1258-2WZH07BRX	7.50	13.35	500	420	*	*
2*8	WF1258-2WMH08BRX	WF1258-2WZH08BRX	8.75	14.60	500	420		
2*9	WF1258-2WMH09BRX	WF1258-2WZH09BRX	10.00	15.85	500	420		
2*10	WF1258-2WMH10BRX	WF1258-2WZH10BRX	11.25	17.10	500	420	*	*
2*11	WF1258-2WMH11BRX	WF1258-2WZH11BRX	12.50	18.35	500	420		
2*12	WF1258-2WMH12BRX	WF1258-2WZH12BRX	13.75	19.60	500	420	*	*
2*13	WF1258-2WMH13BRX	WF1258-2WZH13BRX	15.00	20.85	500	420	*	*
2*14	WF1258-2WMH14BRX	WF1258-2WZH14BRX	16.25	22.10	500	420		
2*15	WF1258-2WMH15BRX	WF1258-2WZH15BRX	17.50	23.35	500	420	*	*
2*16	WF1258-2WMH16BRX	WF1258-2WZH16BRX	18.75	24.60	500	420	*	*
2*17	WF1258-2WMH17BRX	WF1258-2WZH17BRX	20.00	25.85	500	420		
2*18	WF1258-2WMH18BRX	WF1258-2WZH18BRX	21.25	27.10	500	420		
2*19	WF1258-2WMH19BRX	WF1258-2WZH19BRX	22.50	28.35	500	420		
2*20	WF1258-2WMH20BRX	WF1258-2WZH20BRX	23.75	29.60	500	420	*	*
2*21	WF1258-2WMH21BRX	WF1258-2WZH21BRX	25.00	30.85	500	420	*	*

Note: * stands for mass production . 注: *代表可量产

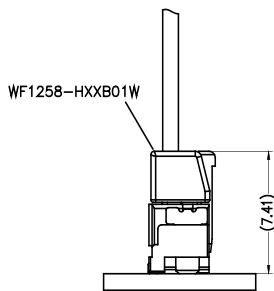
Dimensions 尺寸 (S/T SMT) Single Row



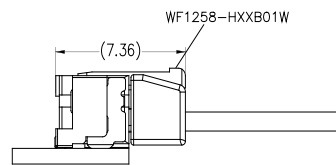
Dimensions 尺寸 (R/A SMT) Single Row



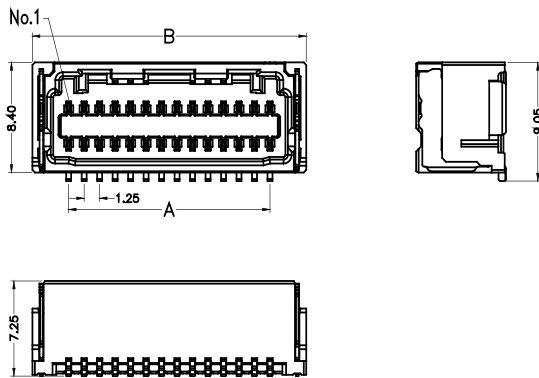
Assembly Schematic 装配示意 Single Row



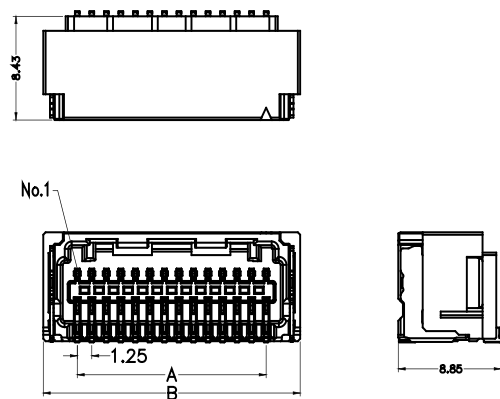
Assembly Schematic 装配示意 Single Row



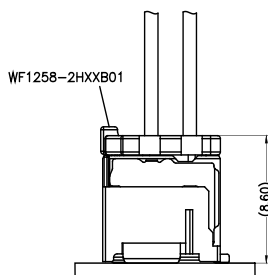
Dimensions 尺寸 (S/T SMT) Dual Row



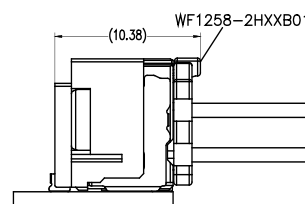
Dimensions 尺寸 (R/A SMT) Dual Row



Assembly Schematic 装配示意 Dual Row

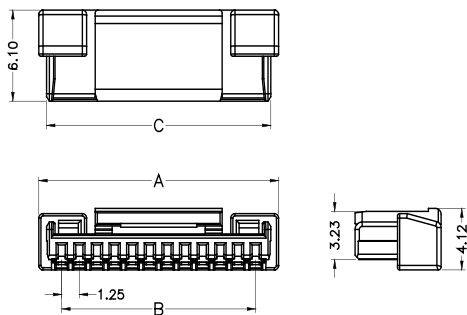


Assembly Schematic 装配示意 Dual Row

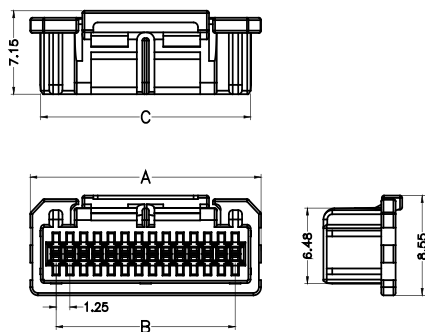


WF1258 Series

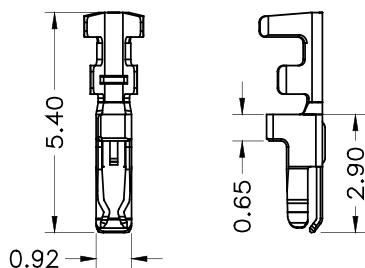
Dimensions 尺寸 Single Row



Dimensions 尺寸 Dual Row



Adaptor Terminal 适配端子



型号 Model number	WF1258-TPXX01
--------------------	---------------

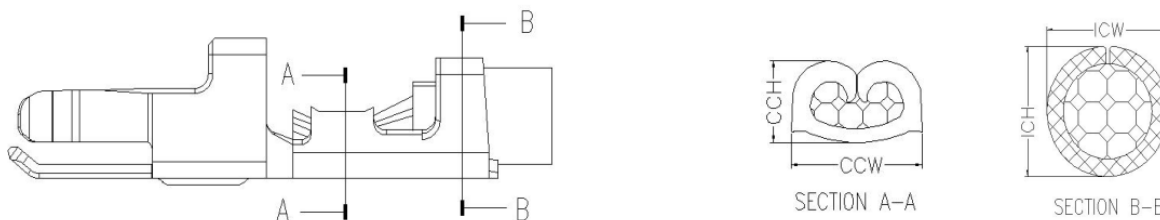
Ordering Information 订购信息

Circuit 芯数	Part number 型号	Dimensions 尺寸 (mm)			Package 包装 Qty/Bag 只/袋装	Remake 可量产状态
		A	B	C		
2	WF1258-H02B01W	4.50	1.25	3.50	1,000	*
3	WF1258-H03B01W	5.75	2.50	4.75	1,000	*
4	WF1258-H04B01W	7.00	3.75	6.00	1,000	*
5	WF1258-H05B01W	8.25	5.00	7.25	1,000	*
6	WF1258-H06B01W	9.50	6.25	8.50	1,000	*
7	WF1258-H07B01W	10.75	7.50	9.55	1,000	*
8	WF1258-H08B01W	12.00	8.75	10.80	500	*
9	WF1258-H09B01W	13.25	10.00	12.05	500	*
10	WF1258-H10B01W	14.50	11.25	13.30	500	*
11	WF1258-H11B01W	15.75	12.50	14.55	500	*
12	WF1258-H12B01W	17.00	13.75	15.80	500	*
13	WF1258-H13B01W	18.25	15.00	17.05	200	*
14	WF1258-H14B01W	19.50	16.25	18.30	200	*
15	WF1258-H15B01W	20.75	17.50	19.55	200	*
16	WF1258-H16B01W	22.00	18.75	20.80	200	*
2*4	WF1258-2H04B01W	8.45	3.75	6.54	500	*
2*5	WF1258-2H05B01W	9.70	5.00	7.79	500	*
2*6	WF1258-2H06B01W	10.95	6.25	9.04	500	*
2*7	WF1258-2H07B01W	12.20	7.50	10.29	500	*
2*8	WF1258-2H08B01W	13.45	8.75	11.54	500	*
2*9	WF1258-2H09B01W	14.70	10.00	12.79	500	*
2*10	WF1258-2H10B01W	15.95	11.25	14.04	500	*
2*11	WF1258-2H11B01W	17.20	12.50	15.29	500	*
2*12	WF1258-2H12B01W	18.45	13.75	16.54	500	*
2*13	WF1258-2H13B01W	19.70	15.00	17.79	100	*
2*14	WF1258-2H14B01W	20.95	16.25	19.04	100	*
2*15	WF1258-2H15B01W	22.20	17.50	20.29	100	*
2*16	WF1258-2H16B01W	23.45	18.75	21.54	100	*
2*17	WF1258-2H17B01W	24.70	20.00	22.79	100	*
2*18	WF1258-2H18B01W	25.95	21.25	24.04	100	*
2*19	WF1258-2H19B01W	27.20	22.50	25.29	100	*
2*20	WF1258-2H20B01W	28.45	23.75	26.54	100	*
2*21	WF1258-2H21B01W	29.70	25.00	27.79	100	*

Note: * stands for mass production . 注: *代表可量产

Terminal Crimp specification 端子压接规范

型号 Model number	电线类型 Wire type	电线规格 Wire size	线缆 OD (mm) Cable OD (mm)	剥线长度 (mm) Strip length (mm)	导体铆压 (A-A) Conductor crimp		绝缘体铆压 (B-B) Insulation crimp	
					压接宽度CCW(mm) Crimping width (mm)	压接高度CCH(mm) Crimping height (mm)	压接宽度ICWmm Crimping width (mm)	压接高度ICHmm Crimping height (mm)
WF1258-TPXX01	UL1061	26AWG	1.0± 0.1	1.5±0.1	0.70 ~ 0.84	0.54~0.59	0.81 ~ 0.91	1.19 ~ 1.28
	UL1061	28AWG	0.9± 0.1					1.18 ~ 1.28
	UL1061	30AWG	0.8± 0.1					1.08 ~ 1.18



Model number allocation 型号命名 Single Row

WF1258	-	XX	XX	B	R	X
(1)		(2)	(3)	(4)	(5)	(6)
(1) Series (系列): Wafer 1.25mm Series			(4) Color(颜色): B=Black			
(2) Terminal type (端子形态): WM=S/T SMT WZ=R/A SMT			(5) Packing (包装): R=Tape&Reel			
(3) Circuit (位数): 02=2P.....16=16P			(6) Internal code (流水码)			

WF1258	-	H	XX	B	0	1	W
(1)		(2)	(3)	(4)	(5)	(6)	(7)
(1) Series (系列): Wafer 1.25mm Series			(5) Packing (包装): 0=PE Bag				
(2) Product type (产品类型): H=Crimp Type Housing			(6) Internal code (流水码)				
(3) Circuit (位数): 02=2P.....16=16P			(7)W: W=With WOCN Logo				
(4) Color(颜色): B=Black							

Model number allocation 型号命名 Dual Row

WF1258	-	2	XX	XX	B	R	X
(1)		(2)	(3)	(4)	(5)	(6)	(6)
(1) Series (系列): Wafer 1.25mm Series			(5) Color(颜色): B=Black				
(2) Row number(排数): 2=Dual Row			(6) Packing (包装): R=Tape&Reel				
(3) Terminal type (端子形态): WM=S/T SMT WZ=R/A SMT			(7) Internal code (流水码)				
(4) Circuit (位数): 08=8P.....42=42P							

WF1258	-	2	H	XX	B	0	1	W
(1)		(2)	(3)	(4)	(5)	(6)	(7)	(8)
(1) Series (系列): Wafer 1.25mm Series			(5) Color(颜色): B=Black					
(2) Row number(排数): 2=Dual Row			(6) Packing (包装): 0=PE Bag					
(3) Product type (产品类型): H=Crimp Type Housing			(7) Internal code (流水码)					
(4) Circuit (位数): 08=8P.....42=42P			(8)W: W=With WOCN Logo					

Contact Us 联系我们

维峰电子股份有限公司(总部)
WCON ELECTRONICS CO.,LTD(HQ)
地址:广东省东莞市虎门镇大宁文明路15号
Add :No.15,Wenming Road,Daning Community, Humen Town, Dongguan, Guangdong.523930, China

昆山维康电子有限公司
KUNSHAN WCON ELECTRONICS CO.,LTD(East of China)
地址:昆山市千灯镇汶浦中路169号
Add : No.169, WenPu Middle Road, QianDeng Town, Kunshan City, Jiangsu Province, China

合肥维峰电子有限公司
HEFEI WCON ELECTRONICS CO.,LTD
地址:安徽省合肥市高新技术开发区绿城科技园E栋2楼
Add : 2F, Building E, Greentown Science Park,High-tech Development Zone, Hefei, Anhui,China

维康电子(泰国)有限公司
WCON ELECTRONICS (Thailand) CO.,LTD
地址:泰国巴真武里府西玛铺县华瓦区洛加纳工业园
Add: VG3C+H57, Hua Wa, Si Maha Phot District, Prachin Buri 25140, Thailand

销售联系方式 Contacts Information

国际客户部 International sales department
salesdg01@wcon.com
salesdg05@wcon.com

大客户专线 Major customer dedicated department
华南: salesdg28@wcon.com
华东: salesks@wcon.com

中小客户专线 Public Customer hot line
华南: salesdg10@wcon.com
华东: salesks01@wcon.com

网络销售 Online sales department
salesdg26@wcon.com



Official Website



Product e-catalog



WeChat Public#



TikTok Public#