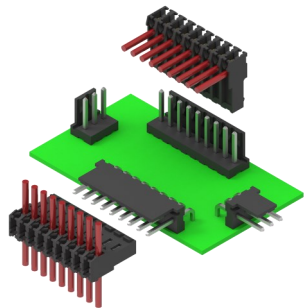


## WF2545(A) Series

2.54mm pitch/Wire-to-board Connector

**Overview**

WF2545(A) is a 2.54mm pitch wire-to-board connector featuring a friction lock mechanism. It uses an IDC wire connection design for significantly reducing labor and assembly costs which is an efficient wire-to-board connection solution.

**Features and Benefits**

- Single-sided and double-sided wiring options available
- IDC connection saves labor and streamlines processes
- Features friction lock mechanism for enhanced connection reliability
- Supports both horizontal and vertical mounting
- Poka-yoke design

**Product Applications**

- Industrial: Servo drives, industrial control
- Consumer: Fitness equipment, home appliance control
- Communications: Office equipment

**Standard 标准**

- EIA 364

**Material 材料**

Part/零件	Material/材料	Finish/电镀	UL Flame retardant/阻燃等级
Housing/主体	PA66	White/白色 Black/黑色	UL94V-2
Header/板端	PA66	Black/黑色	UL94V-0
Terminal/端子	Copper Alloy/铜合金	Gold-plated/镀金 Tin-plated/镀锡	-

## WF2545(A) 系列

2.54mm间距/线到板连接器

**概述**

WF2545(A)是一款2.54mm间距线到板连接器，带有摩擦锁结构，线端拥有刺破式设计，刺破式接线可大大减少人工、组装成本，是一种高效的线到板连接解决方案。

**产品特点**

- 单边出线、双边出线两种方式可供选择
- 刺破式接线，节省人力、制程
- 带摩擦锁结构，确保连接更可靠
- 提供水平及垂直方向安装
- 可选防呆结构

**应用领域**

- 工业：伺服驱动、工业控制
- 消费：健身器材、家电控制
- 通信：办公设备

**UL certification UL认证**

- E248993

Production Specifications 产品规格

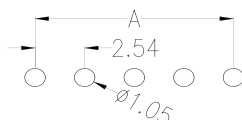
Current rating 额定电流	3 A	Operating Temperature Range:-40° C~+105° (including temperature rise) Operating Humidity Range:20-80% 工作温度范围: -40° C~+105° C(含温升) 工作湿度范围: ≤80%	Storage Temperature: Humidity: 储存温度: 25±5° C 储存湿度: ≤60%
Voltage rating 额定电压	250V		

Item 项目	Condition 条件	Specification 规格
Insulation Resistance 绝缘电阻	Measured at 1000V DC for 1 minute 测试电压: 1000V DC/1分钟	No less than 1000MΩ 不少于1000MΩ
Withstanding voltage 耐电压	Measured at 1000V AC for 1 minute 测试电压: 1000V AC/1分钟	No breakdown, no discharge, leakage current <0.5mA 无击穿、无放电、漏电流<0.5mA
Contact Resistance 接触电阻	Measured at 100mA and no higher than 20mV 在100mA下测量,用20 mV DC进行测量	Contact resistance: Initial value/ 20 mΩ max After environmental tests/ 40 mΩ max. 接触电阻: 初始值 20 mΩ 以下 测试后 40 mΩ 以下
Vibration Resistance 抗振动	Frequency : 50 ~ 2000 Hz PSD value : 3.13Gms minimum Duration : 15 minutes/axis Times : Each of three mutually perpendicular planes. 频率: 50 ~ 2000 Hz PSD 值: 3.13Gms minimum 时长: 15分钟/轴 次数: 三个相互垂直的平面中的每一个	No electrical discontinuity of 1μs or greater 试验过程中未发生1μs瞬断现象,且外观无损伤,电气性能正常
Humidity (Steady state) 湿度	Temperature : 25~65°C Humidity: 90 ~95% (R.H) Duration : 96 hours 温度: 25~65° C 湿度: 90 ~95% (R.H) 时间: 96小时	Contact resistance: Initial value/ 20 mΩ max After environmental tests/ 40 mΩ max. 接触电阻: 初始值 20 mΩ 以下 测试后 40 mΩ 以下
Salt Spray 盐雾	Temperature:35#2°C Humidity:95~98%(R.H) PHValue : 6.5 ~ 7.2 Duration : 48hours 温度: 35±2° C 湿度: 95~98%(R.H) PH值: 6.5~7.2 时间: 48小时	Contact resistance: Initial value/ 20 mΩ max After environmental tests/ 40 mΩ max. 接触电阻: 初始值 20 mΩ 以下 测试后 40 mΩ 以下
Durability(Mating/un-mating) 插拔寿命	100 cycles 循环100次	Contact resistance: Initial value/ 20 mΩ max After environmental tests/ 40 mΩ max. 接触电阻: 初始值 20 mΩ 以下 测试后 40 mΩ 以下

PCB Layout 印刷电路板布局

DIP type 插孔装型

S/T DIP (R/A DIP)



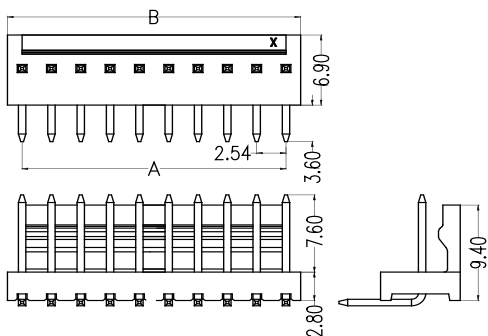
# WF2545(A) Series

## Order Information 订购信息

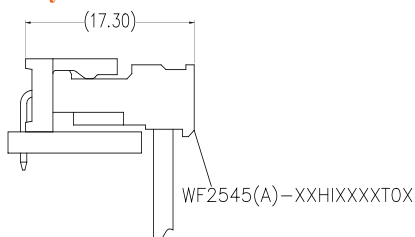
Circuit 芯数	Part number 型号		Plating 电镀	Dimensions 尺寸 (mm)		Package 包装 Qty/Bag 只/袋装	Remake 可量产状态
	R/A DIP	S/T DIP		A	B		
2	WF2545-AWR02XXW01	WF2545-AWS02XXW01	XX: S4=15U"Gold/Tin G4=15u" Gold Blank=Tin	2.54	5.08	500	*
3	WF2545-AWR03XXW01	WF2545-AWS03XXW01		5.08	7.62	500	*
4	WF2545-AWR04XXW01	WF2545-AWS04XXW01		7.62	10.16	500	*
5	WF2545-AWR05XXW01	WF2545-AWS05XXW01		10.16	12.70	500	*
6	WF2545-AWR06XXW01	WF2545-AWS06XXW01		12.70	15.24	100	*
7	WF2545-AWR07XXW01	WF2545-AWS07XXW01		15.24	17.78	100	*
8	WF2545-AWR08XXW01	WF2545-AWS08XXW01		17.78	20.32	100	*
9	WF2545-AWR09XXW01	WF2545-AWS09XXW01		20.32	22.86	100	*
10	WF2545-AWR10XXW01	WF2545-AWS10XXW01		22.86	25.40	100	*
11	WF2545-AWR11XXW01	WF2545-AWS11XXW01		25.40	27.94	100	*
12	WF2545-AWR12XXW01	WF2545-AWS12XXW01		27.94	30.48	100	*
13	WF2545-AWR13XXW01	WF2545-AWS13XXW01		30.48	33.02	100	*
14	WF2545-AWR14XXW01	WF2545-AWS14XXW01		33.02	35.56	100	*
15	WF2545-AWR15XXW01	WF2545-AWS15XXW01		35.56	38.10	100	*
16	WF2545-AWR16XXW01	WF2545-AWS16XXW01		38.10	40.64	100	*
17	WF2545-AWR17XXW01	WF2545-AWS17XXW01		40.64	43.18	100	*
18	WF2545-AWR18XXW01	WF2545-AWS18XXW01		43.18	45.72	100	*
19	WF2545-AWR19XXW01	WF2545-AWS19XXW01		45.72	48.26	100	*
20	WF2545-AWR20XXW01	WF2545-AWS20XXW01		48.26	50.80	100	*
21	WF2545-AWR21XXW01	WF2545-AWS21XXW01		50.80	53.34	100	*
22	WF2545-AWR22XXW01	WF2545-AWS22XXW01		53.34	55.88	100	*
23	WF2545-AWR23XXW01	WF2545-AWS23XXW01		55.88	58.42	100	*
24	WF2545-AWR24XXW01	WF2545-AWS24XXW01		58.42	60.96	100	*
25	WF2545-AWR25XXW01	WF2545-AWS25XXW01		60.96	63.50	100	*
26	WF2545-AWR26XXW01	WF2545-AWS26XXW01		63.50	66.04	100	*
27	WF2545-AWR27XXW01	WF2545-AWS27XXW01		66.04	68.58	100	*
28	WF2545-AWR28XXW01	WF2545-AWS28XXW01		68.58	71.12	100	*
29	WF2545-AWR29XXW01	WF2545-AWS29XXW01		71.12	73.66	100	*
30	WF2545-AWR30XXW01	WF2545-AWS30XXW01		73.66	76.20	100	*
31	WF2545-AWR31XXW01	WF2545-AWS31XXW01		76.20	78.74	100	*
32	WF2545-AWR32XXW01	WF2545-AWS32XXW01		78.74	81.28	100	*
33	WF2545-AWR33XXW01	WF2545-AWS33XXW01		81.28	83.82	100	*
34	WF2545-AWR34XXW01	WF2545-AWS34XXW01		83.82	86.36	100	*
35	WF2545-AWR35XXW01	WF2545-AWS35XXW01		86.36	88.90	100	*
36	WF2545-AWR36XXW01	WF2545-AWS36XXW01		88.90	91.44	100	*

Note: \* stands for mass production . 注: \*代表可量产

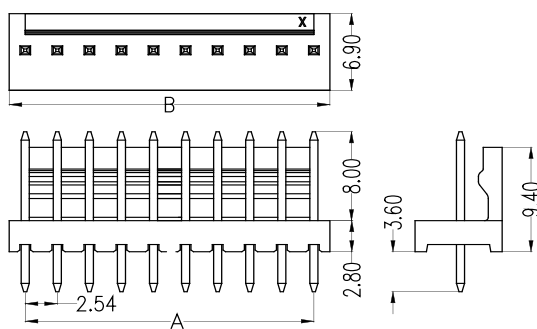
### Dimensions 尺寸 (R/A) Not Breakable 不可裁切型



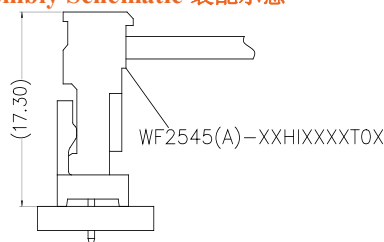
### Assembly Schematic 装配示意



### Dimensions 尺寸 (S/T) Not Breakable 不可裁切型



### Assembly Schematic 装配示意

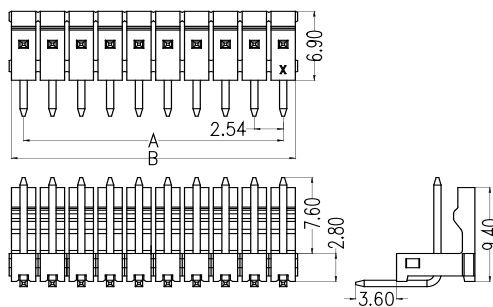


Order Information 订购信息

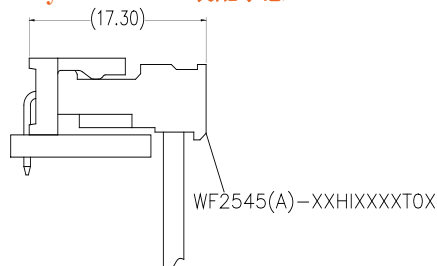
Circuit 芯数	Part number 型号				Plating 电镀	Dimensions 尺寸 (mm)		Package 包装 Qty/Bag 只/袋装	Remake 可量产 状态
	R/A DIP	S/T DIP				A	B		
		TYPE-1	TYPE-2	TYPE-3					
2	WF2545-CWR02XXW01	WF2545-CWS02XXW01	WF2545-CWS02XXW02	WF2545-CWS02XXW03	XX: S4=15U"Gold /Tin G4=15u" Gold Blank=Tin	2.54	4.68	500	
3	WF2545-CWR03XXW01	WF2545-CWS03XXW01	WF2545-CWS03XXW02	WF2545-CWS03XXW03		5.08	7.22	500	
4	WF2545-CWR04XXW01	WF2545-CWS04XXW01	WF2545-CWS04XXW02	WF2545-CWS04XXW03		7.62	9.76	500	
5	WF2545-CWR05XXW01	WF2545-CWS05XXW01	WF2545-CWS05XXW02	WF2545-CWS05XXW03		10.16	12.30	500	
6	WF2545-CWR06XXW01	WF2545-CWS06XXW01	WF2545-CWS06XXW02	WF2545-CWS06XXW03		12.70	14.84	100	
7	WF2545-CWR07XXW01	WF2545-CWS07XXW01	WF2545-CWS07XXW02	WF2545-CWS07XXW03		15.24	17.38	100	
8	WF2545-CWR08XXW01	WF2545-CWS08XXW01	WF2545-CWS08XXW02	WF2545-CWS08XXW03		17.78	19.92	100	
9	WF2545-CWR09XXW01	WF2545-CWS09XXW01	WF2545-CWS09XXW02	WF2545-CWS09XXW03		20.32	22.46	100	
10	WF2545-CWR10XXW01	WF2545-CWS10XXW01	WF2545-CWS10XXW02	WF2545-CWS10XXW03		22.86	25.00	100	
11	WF2545-CWR11XXW01	WF2545-CWS11XXW01	WF2545-CWS11XXW02	WF2545-CWS11XXW03		25.40	27.54	100	
12	WF2545-CWR12XXW01	WF2545-CWS12XXW01	WF2545-CWS12XXW02	WF2545-CWS12XXW03		27.94	30.08	100	
13	WF2545-CWR13XXW01	WF2545-CWS13XXW01	WF2545-CWS13XXW02	WF2545-CWS13XXW03		30.48	32.62	100	
14	WF2545-CWR14XXW01	WF2545-CWS14XXW01	WF2545-CWS14XXW02	WF2545-CWS14XXW03		33.02	35.16	100	
15	WF2545-CWR15XXW01	WF2545-CWS15XXW01	WF2545-CWS15XXW02	WF2545-CWS15XXW03		35.56	37.70	100	
16	WF2545-CWR16XXW01	WF2545-CWS16XXW01	WF2545-CWS16XXW02	WF2545-CWS16XXW03		38.10	40.24	100	
17	WF2545-CWR17XXW01	WF2545-CWS17XXW01	WF2545-CWS17XXW02	WF2545-CWS17XXW03		40.64	42.78	100	
18	WF2545-CWR18XXW01	WF2545-CWS18XXW01	WF2545-CWS18XXW02	WF2545-CWS18XXW03		43.18	45.32	100	
19	WF2545-CWR19XXW01	WF2545-CWS19XXW01	WF2545-CWS19XXW02	WF2545-CWS19XXW03		45.72	47.86	100	
20	WF2545-CWR20XXW01	WF2545-CWS20XXW01	WF2545-CWS20XXW02	WF2545-CWS20XXW03		48.26	50.40	100	
21	WF2545-CWR21XXW01	WF2545-CWS21XXW01	WF2545-CWS21XXW02	WF2545-CWS21XXW03		50.80	52.94	100	
22	WF2545-CWR22XXW01	WF2545-CWS22XXW01	WF2545-CWS22XXW02	WF2545-CWS22XXW03		53.34	55.48	100	
23	WF2545-CWR23XXW01	WF2545-CWS23XXW01	WF2545-CWS23XXW02	WF2545-CWS23XXW03		55.88	58.02	100	
24	WF2545-CWR24XXW01	WF2545-CWS24XXW01	WF2545-CWS24XXW02	WF2545-CWS24XXW03		58.42	60.56	100	
25	WF2545-CWR25XXW01	WF2545-CWS25XXW01	WF2545-CWS25XXW02	WF2545-CWS25XXW03		60.96	63.10	100	
26	WF2545-CWR26XXW01	WF2545-CWS26XXW01	WF2545-CWS26XXW02	WF2545-CWS26XXW03		63.50	65.64	100	
27	WF2545-CWR27XXW01	WF2545-CWS27XXW01	WF2545-CWS27XXW02	WF2545-CWS27XXW03		66.04	68.18	100	
28	WF2545-CWR28XXW01	WF2545-CWS28XXW01	WF2545-CWS28XXW02	WF2545-CWS28XXW03		68.58	70.72	100	
29	WF2545-CWR29XXW01	WF2545-CWS29XXW01	WF2545-CWS29XXW02	WF2545-CWS29XXW03		71.12	73.26	100	
30	WF2545-CWR30XXW01	WF2545-CWS30XXW01	WF2545-CWS30XXW02	WF2545-CWS30XXW03		73.66	75.80	100	
31	WF2545-CWR31XXW01	WF2545-CWS31XXW01	WF2545-CWS31XXW02	WF2545-CWS31XXW03		76.20	78.34	100	
32	WF2545-CWR32XXW01	WF2545-CWS32XXW01	WF2545-CWS32XXW02	WF2545-CWS32XXW03		78.74	80.88	100	
33	WF2545-CWR33XXW01	WF2545-CWS33XXW01	WF2545-CWS33XXW02	WF2545-CWS33XXW03		81.28	83.42	100	
34	WF2545-CWR34XXW01	WF2545-CWS34XXW01	WF2545-CWS34XXW02	WF2545-CWS34XXW03		83.82	85.96	100	
35	WF2545-CWR35XXW01	WF2545-CWS35XXW01	WF2545-CWS35XXW02	WF2545-CWS35XXW03		86.36	88.50	100	
36	WF2545-CWR36XXW01	WF2545-CWS36XXW01	WF2545-CWS36XXW02	WF2545-CWS36XXW03		88.90	91.04	100	*

Note: \* stands for mass production . 注: \*代表可量产

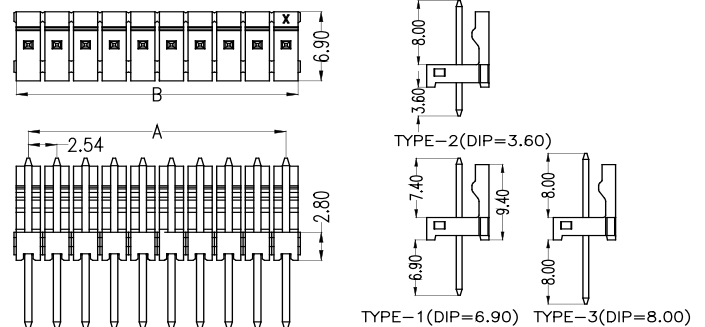
Dimensions 尺寸 (R/A) Breakable ((TYPE-1)) 裁切型



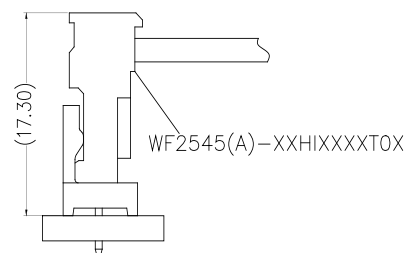
Assembly Schematic 装配示意



Dimensions 尺寸 (S/T) Breakable ((TYPE-1)) 裁切型



Assembly Schematic 装配示意



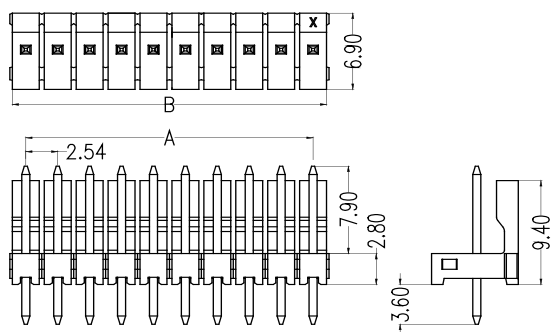
# WF2545(A) Series

## Order Information 订购信息

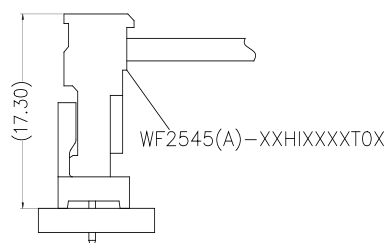
Circuit 芯数	Part number 型号	Plating 电镀	Dimensions 尺寸 (mm)		Package 包装 Qty/Bag 只/袋装	Remake 可量产状态
			A	B		
2	WF2545-DWS02XXW01	XX: S4=15U"Gold/Tin G4=15u" Gold Blank=Tin	2.54	4.68	500	
3	WF2545-DWS03XXW01		5.08	7.22	500	
4	WF2545-DWS04XXW01		7.62	9.76	500	
5	WF2545-DWS05XXW01		10.16	12.30	500	
6	WF2545-DWS06XXW01		12.70	14.84	100	
7	WF2545-DWS07XXW01		15.24	17.38	100	
8	WF2545-DWS08XXW01		17.78	19.92	100	
9	WF2545-DWS09XXW01		20.32	22.46	100	
10	WF2545-DWS10XXW01		22.86	25.00	100	
11	WF2545-DWS11XXW01		25.40	27.54	100	
12	WF2545-DWS12XXW01		27.94	30.08	100	
13	WF2545-DWS13XXW01		30.48	32.62	100	
14	WF2545-DWS14XXW01		33.02	35.16	100	
15	WF2545-DWS15XXW01		35.56	37.70	100	
16	WF2545-DWS16XXW01		38.10	40.24	100	
17	WF2545-DWS17XXW01		40.64	42.78	100	
18	WF2545-DWS18XXW01		43.18	45.32	100	
19	WF2545-DWS19XXW01		45.72	47.86	100	
20	WF2545-DWS20XXW01		48.26	50.40	100	
21	WF2545-DWS21XXW01		50.80	52.94	100	
22	WF2545-DWS22XXW01		53.34	55.48	100	
23	WF2545-DWS23XXW01		55.88	58.02	100	
24	WF2545-DWS24XXW01		58.42	60.56	100	
25	WF2545-DWS25XXW01		60.96	63.10	100	
26	WF2545-DWS26XXW01		63.50	65.64	100	
27	WF2545-DWS27XXW01		66.04	68.18	100	
28	WF2545-DWS28XXW01		68.58	70.72	100	
29	WF2545-DWS29XXW01		71.12	73.26	100	
30	WF2545-DWS30XXW01		73.66	75.80	100	
31	WF2545-DWS31XXW01		76.20	78.34	100	
32	WF2545-DWS32XXW01		78.74	80.88	100	
33	WF2545-DWS33XXW01		81.28	83.42	100	
34	WF2545-DWS34XXW01		83.82	85.96	100	
35	WF2545-DWS35XXW01		86.36	88.50	100	
36	WF2545-DWS36XXW01		88.90	91.04	100	

Note: \* stands for mass production . 注: \*代表可量产

### Dimensions 尺寸 (S/T) Breakable (TYPE-2) 裁切型



### Assembly Schematic 装配示意

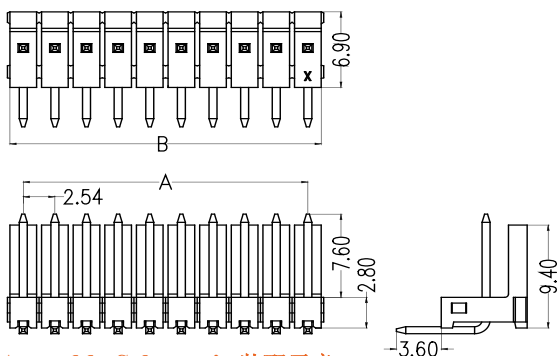


Order Information 订购信息

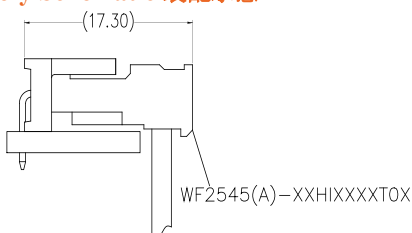
Circuit 芯数	Part number 型号		Plating 电镀	Dimensions 尺寸 (mm)		Package 包装 Qty/Bag 只/袋装	Remake 可量产状态
	R/A DIP	S/T DIP		A	B		
2	WF2545-EWR02XXW01	WF2545-EWS02XXW01	XX: S4=15U"Gold/Tin G4=15u" Gold Blank=Tin	2.54	4.68	500	
3	WF2545-EWR03XXW01	WF2545-EWS03XXW01		5.08	7.22	500	
4	WF2545-EWR04XXW01	WF2545-EWS04XXW01		7.62	9.76	500	
5	WF2545-EWR05XXW01	WF2545-EWS05XXW01		10.16	12.30	500	
6	WF2545-EWR06XXW01	WF2545-EWS06XXW01		12.70	14.84	100	
7	WF2545-EWR07XXW01	WF2545-EWS07XXW01		15.24	17.38	100	
8	WF2545-EWR08XXW01	WF2545-EWS08XXW01		17.78	19.92	100	
9	WF2545-EWR09XXW01	WF2545-EWS09XXW01		20.32	22.46	100	
10	WF2545-EWR10XXW01	WF2545-EWS10XXW01		22.86	25.00	100	
11	WF2545-EWR11XXW01	WF2545-EWS11XXW01		25.40	27.54	100	
12	WF2545-EWR12XXW01	WF2545-EWS12XXW01		27.94	30.08	100	
13	WF2545-EWR13XXW01	WF2545-EWS13XXW01		30.48	32.62	100	
14	WF2545-EWR14XXW01	WF2545-EWS14XXW01		33.02	35.16	100	
15	WF2545-EWR15XXW01	WF2545-EWS15XXW01		35.56	37.70	100	
16	WF2545-EWR16XXW01	WF2545-EWS16XXW01		38.10	40.24	100	
17	WF2545-EWR17XXW01	WF2545-EWS17XXW01		40.64	42.78	100	
18	WF2545-EWR18XXW01	WF2545-EWS18XXW01		43.18	45.32	100	
19	WF2545-EWR19XXW01	WF2545-EWS19XXW01		45.72	47.86	100	
20	WF2545-EWR20XXW01	WF2545-EWS20XXW01		48.26	50.40	100	
21	WF2545-EWR21XXW01	WF2545-EWS21XXW01		50.80	52.94	100	
22	WF2545-EWR22XXW01	WF2545-EWS22XXW01		53.34	55.48	100	
23	WF2545-EWR23XXW01	WF2545-EWS23XXW01		55.88	58.02	100	
24	WF2545-EWR24XXW01	WF2545-EWS24XXW01		58.42	60.56	100	
25	WF2545-EWR25XXW01	WF2545-EWS25XXW01		60.96	63.10	100	
26	WF2545-EWR26XXW01	WF2545-EWS26XXW01		63.50	65.64	100	
27	WF2545-EWR27XXW01	WF2545-EWS27XXW01		66.04	68.18	100	
28	WF2545-EWR28XXW01	WF2545-EWS28XXW01		68.58	70.72	100	
29	WF2545-EWR29XXW01	WF2545-EWS29XXW01		71.12	73.26	100	
30	WF2545-EWR30XXW01	WF2545-EWS30XXW01		73.66	75.80	100	
31	WF2545-EWR31XXW01	WF2545-EWS31XXW01		76.20	78.34	100	
32	WF2545-EWR32XXW01	WF2545-EWS32XXW01		78.74	80.88	100	
33	WF2545-EWR33XXW01	WF2545-EWS33XXW01		81.28	83.42	100	
34	WF2545-EWR34XXW01	WF2545-EWS34XXW01		83.82	85.96	100	
35	WF2545-EWR35XXW01	WF2545-EWS35XXW01		86.36	88.50	100	
36	WF2545-EWR36XXW01	WF2545-EWS36XXW01		88.90	91.04	100	

Note: \* stands for mass production . 注: \*代表可量产

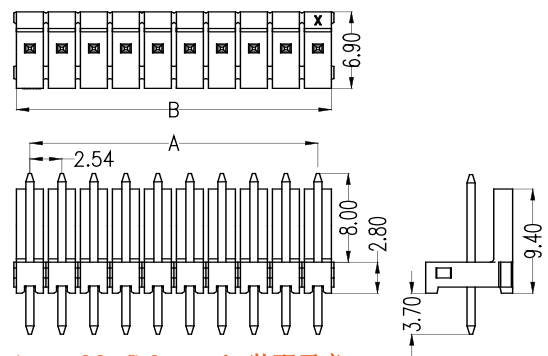
Dimensions 尺寸 (R/A) Breakable (TYPE-3) 裁切型



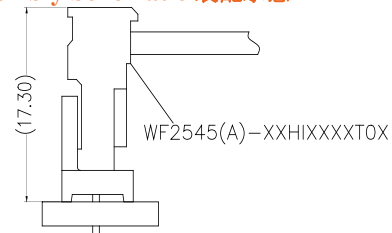
Assembly Schematic 装配示意



Dimensions 尺寸 (S/T) Breakable (TYPE-3) 裁切型



Assembly Schematic 装配示意

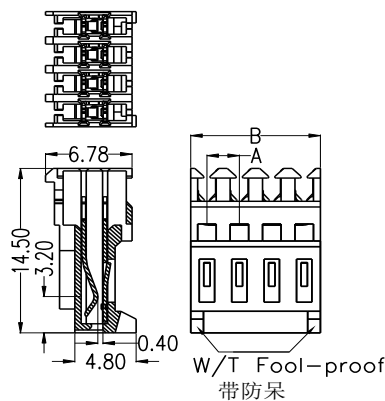


Order Information 订购信息

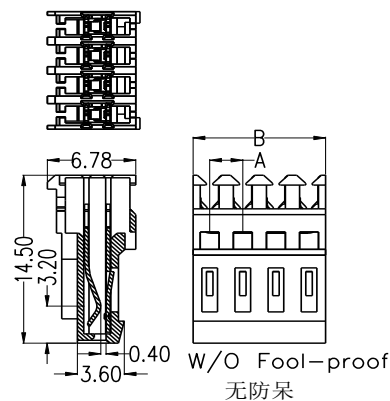
Circuit 芯数	Part number 型号		AWG 线号规格	Plating 电镀	Dimensions 尺寸 (mm)		Package 包装 Qty/Bag 只/袋装	Remake 可量产 状态
	W/T Fool-proof 带防呆	W/O Fool-proof 无防呆			A	B		
2	WF2545A-**HIE02XT01	WF2545A-**HIE02XT02	**: 28=28AWG 26=26AWG 24=24AWG 22=22AWG	XX: Blank=Tin S4=15U"Gold/ Tin	2.54	5.08	500	
3	WF2545A-**HIE03XT01	WF2545A-**HIE03XT02			5.08	7.62	500	
4	WF2545A-**HIE04XT01	WF2545A-**HIE04XT02			7.62	10.16	500	
5	WF2545A-**HIE05XT01	WF2545A-**HIE05XT02			10.16	12.70	500	
6	WF2545A-**HIE06XT01	WF2545A-**HIE06XT02			12.70	15.24	100	
7	WF2545A-**HIE07XT01	WF2545A-**HIE07XT02			15.24	17.78	100	
8	WF2545A-**HIE08XT01	WF2545A-**HIE08XT02			17.78	20.32	100	
9	WF2545A-**HIE09XT01	WF2545A-**HIE09XT02			20.32	22.86	100	
10	WF2545A-**HIE10XT01	WF2545A-**HIE10XT02			22.86	25.40	100	
11	WF2545A-**HIE11XT01	WF2545A-**HIE11XT02			25.40	27.94	100	
12	WF2545A-**HIE12XT01	WF2545A-**HIE12XT02			27.94	30.48	100	
13	WF2545A-**HIE13XT01	WF2545A-**HIE13XT02			30.48	33.02	100	
14	WF2545A-**HIE14XT01	WF2545A-**HIE14XT02			33.02	35.56	100	
15	WF2545A-**HIE15XT01	WF2545A-**HIE15XT02			35.56	38.10	100	*
16	WF2545A-**HIE16XT01	WF2545A-**HIE16XT02			38.10	40.64	100	
17	WF2545A-**HIE17XT01	WF2545A-**HIE17XT02			40.64	43.18	100	
18	WF2545A-**HIE18XT01	WF2545A-**HIE18XT02			43.18	45.72	100	
19	WF2545A-**HIE19XT01	WF2545A-**HIE19XT02			45.72	48.26	100	*
20	WF2545A-**HIE20XT01	WF2545A-**HIE20XT02			48.26	50.80	100	*
21	WF2545A-**HIE21XT01	WF2545A-**HIE21XT02			50.80	53.34	100	*
22	WF2545A-**HIE22XT01	WF2545A-**HIE22XT02			53.34	55.88	100	*
23	WF2545A-**HIE23XT01	WF2545A-**HIE23XT02			55.88	58.42	100	*
24	WF2545A-**HIE24XT01	WF2545A-**HIE24XT02			58.42	60.96	100	*
25	WF2545A-**HIE25XT01	WF2545A-**HIE25XT02			60.96	63.50	100	*
26	WF2545A-**HIE26XT01	WF2545A-**HIE26XT02			63.50	66.04	100	*
27	WF2545A-**HIE27XT01	WF2545A-**HIE27XT02			66.04	68.58	100	*
28	WF2545A-**HIE28XT01	WF2545A-**HIE28XT02			68.58	71.12	100	*
29	WF2545A-**HIE29XT01	WF2545A-**HIE29XT02			71.12	73.66	100	*
30	WF2545A-**HIE30XT01	WF2545A-**HIE30XT02			73.66	76.20	100	*

Note: \* stands for mass production . 注: \*代表可量产

Dimensions 尺寸 (Single-sided owiring单面布线)



Dimensions 尺寸 (Single-sided owiring单面布线)



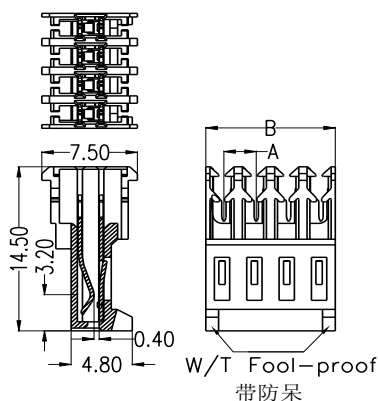
# WF2545(A) Series

## Order Information 订购信息

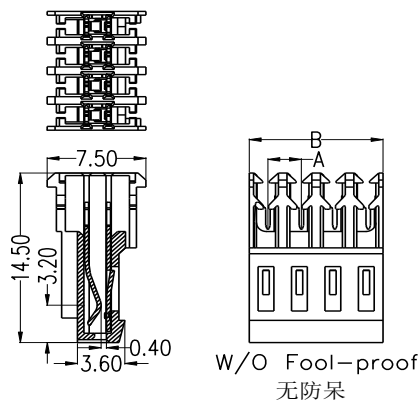
Circuit 芯数	Part number 型号		AWG 线号规格	Plating 电镀	Dimensions 尺寸 (mm)		Package 包装 Q'ty/Bag 只/袋装	Remake 可量产 状态
	W/T Fool-proof 带防呆	W/O Fool-proof 无防呆			A	B		
2	WF2545A-**HIT02XT01	WF2545A-**HIT02XT02			2.54	5.08	500	
3	WF2545A-**HIT03XT01	WF2545A-**HIT03XT02			5.08	7.62	500	
4	WF2545A-**HIT04XT01	WF2545A-**HIT04XT02			7.62	10.16	500	
5	WF2545A-**HIT05XT01	WF2545A-**HIT05XT02			10.16	12.70	500	
6	WF2545A-**HIT06XT01	WF2545A-**HIT06XT02			12.70	15.24	100	
7	WF2545A-**HIT07XT01	WF2545A-**HIT07XT02			15.24	17.78	100	
8	WF2545A-**HIT08XT01	WF2545A-**HIT08XT02			17.78	20.32	100	
9	WF2545A-**HIT09XT01	WF2545A-**HIT09XT02			20.32	22.86	100	
10	WF2545A-**HIT10XT01	WF2545A-**HIT10XT02			22.86	25.40	100	
11	WF2545A-**HIT11XT01	WF2545A-**HIT11XT02			25.40	27.94	100	
12	WF2545A-**HIT12XT01	WF2545A-**HIT12XT02			27.94	30.48	100	
13	WF2545A-**HIT13XT01	WF2545A-**HIT13XT02			30.48	33.02	100	
14	WF2545A-**HIT14XT01	WF2545A-**HIT14XT02	**:		33.02	35.56	100	
15	WF2545A-**HIT15XT01	WF2545A-**HIT15XT02	28=28AWG	XX:	35.56	38.10	100	*
16	WF2545A-**HIT16XT01	WF2545A-**HIT16XT02	26=26AWG	Blank=Tin	38.10	40.64	100	
17	WF2545A-**HIT17XT01	WF2545A-**HIT17XT02	24=24AWG	S4=15U"Gold/Tin	40.64	43.18	100	
18	WF2545A-**HIT18XT01	WF2545A-**HIT18XT02	22=22AWG		43.18	45.72	100	
19	WF2545A-**HIT19XT01	WF2545A-**HIT19XT02			45.72	48.26	100	*
20	WF2545A-**HIT20XT01	WF2545A-**HIT20XT02			48.26	50.80	100	*
21	WF2545A-**HIT21XT01	WF2545A-**HIT21XT02			50.80	53.34	100	*
22	WF2545A-**HIT22XT01	WF2545A-**HIT22XT02			53.34	55.88	100	*
23	WF2545A-**HIT23XT01	WF2545A-**HIT23XT02			55.88	58.42	100	*
24	WF2545A-**HIT24XT01	WF2545A-**HIT24XT02			58.42	60.96	100	*
25	WF2545A-**HIT25XT01	WF2545A-**HIT25XT02			60.96	63.50	100	*
26	WF2545A-**HIT26XT01	WF2545A-**HIT26XT02			63.50	66.04	100	*
27	WF2545A-**HIT27XT01	WF2545A-**HIT27XT02			66.04	68.58	100	*
28	WF2545A-**HIT28XT01	WF2545A-**HIT28XT02			68.58	71.12	100	*
29	WF2545A-**HIT29XT01	WF2545A-**HIT29XT02			71.12	73.66	100	*
30	WF2545A-**HIT30XT01	WF2545A-**HIT30XT02			73.66	76.20	100	*

Note: \* stands for mass production . 注: \*代表可量产

### Dimensions 尺寸 (Double-sided wiring 双面布线)



### Dimensions 尺寸 (Double-sided wiring 双面布线)

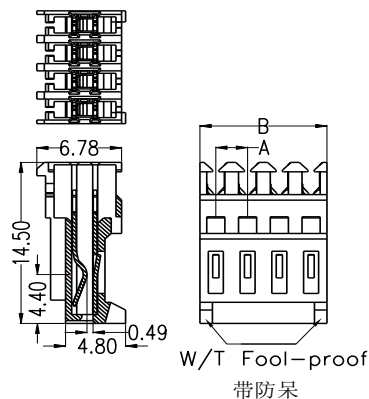


Order Information 订购信息

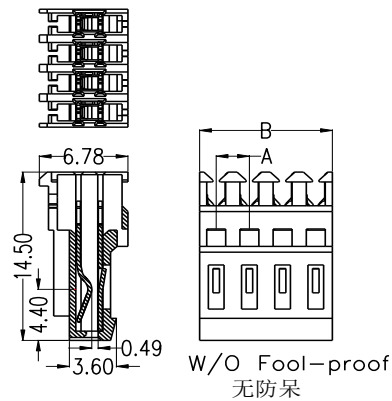
Circuit 芯数	Part number 型号		AWG 线号规格	Plating 电镀	Dimensions 尺寸 (mm)		Package 包装 Qty/Bag 只/袋装	Remake 可量产 状态
	W/T Fool-proof 带防呆	W/O Fool-proof 无防呆			A	B		
2	WF2545-**-HIE02XT01	WF2545-**-HIE02XT02			2.54	5.08	500	
3	WF2545-**-HIE03XT01	WF2545-**-HIE03XT02			5.08	7.62	500	
4	WF2545-**-HIE04XT01	WF2545-**-HIE04XT02			7.62	10.16	500	
5	WF2545-**-HIE05XT01	WF2545-**-HIE05XT02			10.16	12.70	500	
6	WF2545-**-HIE06XT01	WF2545-**-HIE06XT02			12.70	15.24	100	
7	WF2545-**-HIE07XT01	WF2545-**-HIE07XT02			15.24	17.78	100	
8	WF2545-**-HIE08XT01	WF2545-**-HIE08XT02			17.78	20.32	100	
9	WF2545-**-HIE09XT01	WF2545-**-HIE09XT02			20.32	22.86	100	
10	WF2545-**-HIE10XT01	WF2545-**-HIE10XT02			22.86	25.40	100	
11	WF2545-**-HIE11XT01	WF2545-**-HIE11XT02			25.40	27.94	100	
12	WF2545-**-HIE12XT01	WF2545-**-HIE12XT02			27.94	30.48	100	
13	WF2545-**-HIE13XT01	WF2545-**-HIE13XT02			30.48	33.02	100	
14	WF2545-**-HIE14XT01	WF2545-**-HIE14XT02			33.02	35.56	100	
15	WF2545-**-HIE15XT01	WF2545-**-HIE15XT02	**: 28=28AWG	XX: Blank=Tin	35.56	38.10	100	*
16	WF2545-**-HIE16XT01	WF2545-**-HIE16XT02	26=26AWG	S4=15U"Gold/ Tin	38.10	40.64	100	
17	WF2545-**-HIE17XT01	WF2545-**-HIE17XT02	24=24AWG		40.64	43.18	100	
18	WF2545-**-HIE18XT01	WF2545-**-HIE18XT02	22=22AWG		43.18	45.72	100	
19	WF2545-**-HIE19XT01	WF2545-**-HIE19XT02			45.72	48.26	100	*
20	WF2545-**-HIE20XT01	WF2545-**-HIE20XT02			48.26	50.80	100	*
21	WF2545-**-HIE21XT01	WF2545-**-HIE21XT02			50.80	53.34	100	*
22	WF2545-**-HIE22XT01	WF2545-**-HIE22XT02			53.34	55.88	100	*
23	WF2545-**-HIE23XT01	WF2545-**-HIE23XT02			55.88	58.42	100	*
24	WF2545-**-HIE24XT01	WF2545-**-HIE24XT02			58.42	60.96	100	*
25	WF2545-**-HIE25XT01	WF2545-**-HIE25XT02			60.96	63.50	100	*
26	WF2545-**-HIE26XT01	WF2545-**-HIE26XT02			63.50	66.04	100	*
27	WF2545-**-HIE27XT01	WF2545-**-HIE27XT02			66.04	68.58	100	*
28	WF2545-**-HIE28XT01	WF2545-**-HIE28XT02			68.58	71.12	100	*
29	WF2545-**-HIE29XT01	WF2545-**-HIE29XT02			71.12	73.66	100	*
30	WF2545-**-HIE30XT01	WF2545-**-HIE30XT02			73.66	76.20	100	*

Note: \* stands for mass production . 注: \*代表可量产

Dimensions 尺寸 (Single-sided owiring单面布线)



Dimensions 尺寸 (Single-sided owiring单面布线)



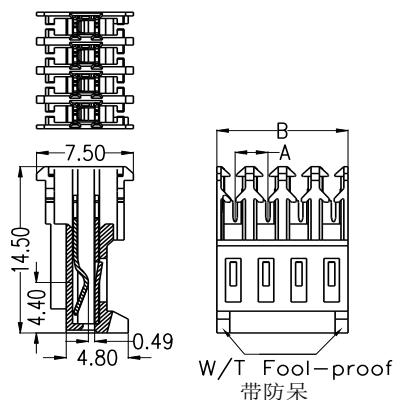
# WF2545(A) Series

## Order Information 订购信息

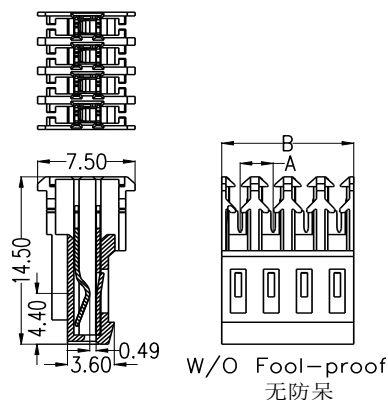
Circuit 芯数	Part number 型号		AWG 线号规格	Plating 电镀	Dimensions 尺寸 (mm)		Parkage 包装 Qty/Bag 只/袋装	Remake 可量产 状态
	W/T Fool-proof 带防呆	W/O Fool-proof 无防呆			A	B		
2	WF2545-**HIT02XT01	WF2545-**HIT02XT02	**: 28=28AWG 26=26AWG 24=24AWG 22=22AWG	XX: Blank=Tin S4=15U"Gold/ Tin	2.54	5.08	500	
3	WF2545-**HIT03XT01	WF2545-**HIT03XT02			5.08	7.62	500	
4	WF2545-**HIT04XT01	WF2545-**HIT04XT02			7.62	10.16	500	
5	WF2545-**HIT05XT01	WF2545-**HIT05XT02			10.16	12.70	500	
6	WF2545-**HIT06XT01	WF2545-**HIT06XT02			12.70	15.24	100	
7	WF2545-**HIT07XT01	WF2545-**HIT07XT02			15.24	17.78	100	
8	WF2545-**HIT08XT01	WF2545-**HIT08XT02			17.78	20.32	100	
9	WF2545-**HIT09XT01	WF2545-**HIT09XT02			20.32	22.86	100	
10	WF2545-**HIT10XT01	WF2545-**HIT10XT02			22.86	25.40	100	
11	WF2545-**HIT11XT01	WF2545-**HIT11XT02			25.40	27.94	100	
12	WF2545-**HIT12XT01	WF2545-**HIT12XT02			27.94	30.48	100	
13	WF2545-**HIT13XT01	WF2545-**HIT13XT02			30.48	33.02	100	
14	WF2545-**HIT14XT01	WF2545-**HIT14XT02			33.02	35.56	100	
15	WF2545-**HIT15XT01	WF2545-**HIT15XT02			35.56	38.10	100	*
16	WF2545-**HIT16XT01	WF2545-**HIT16XT02			38.10	40.64	100	
17	WF2545-**HIT17XT01	WF2545-**HIT17XT02			40.64	43.18	100	
18	WF2545-**HIT18XT01	WF2545-**HIT18XT02			43.18	45.72	100	
19	WF2545-**HIT19XT01	WF2545-**HIT19XT02			45.72	48.26	100	*
20	WF2545-**HIT20XT01	WF2545-**HIT20XT02			48.26	50.80	100	*
21	WF2545-**HIT21XT01	WF2545-**HIT21XT02			50.80	53.34	100	*
22	WF2545-**HIT22XT01	WF2545-**HIT22XT02			53.34	55.88	100	*
23	WF2545-**HIT23XT01	WF2545-**HIT23XT02			55.88	58.42	100	*
24	WF2545-**HIT24XT01	WF2545-**HIT24XT02			58.42	60.96	100	*
25	WF2545-**HIT25XT01	WF2545-**HIT25XT02			60.96	63.50	100	*
26	WF2545-**HIT26XT01	WF2545-**HIT26XT02			63.50	66.04	100	*
27	WF2545-**HIT27XT01	WF2545-**HIT27XT02			66.04	68.58	100	*
28	WF2545-**HIT28XT01	WF2545-**HIT28XT02			68.58	71.12	100	*
29	WF2545-**HIT29XT01	WF2545-**HIT29XT02			71.12	73.66	100	*
30	WF2545-**HIT30XT01	WF2545-**HIT30XT02			73.66	76.20	100	*

Note: \* stands for mass production . 注: \*代表可量产

### Dimensions 尺寸 (Double-sided wiring 双面布线)



### Dimensions 尺寸 (Double-sided wiring 双面布线)



Model numbering 型号命名

<b>WF2545</b>	-	<b>X</b>	<b>XX</b>	<b>XX</b>	<b>XX</b>	<b>X</b>	<b>X</b>	<b>X</b>	<b>X</b>
(1)		(2)	(3)	(4)	(5)	(6)	(7)		(8)
(1) Series (系列): Wafer 2.54mm Series					(5) Contact Plating (电镀): Blank=Tin、S4=15U"Gold/Tin、G4=15u" Gold				
(2) Body Type(类型): A=Not Breakable不可裁切型、C=Breakable (TYPE-1) 裁切型、D=Breakable (TYPE-2) 裁切型、E=Breakable (TYPE-3) 裁切型					(6) Color(颜色): W=White				
(3) Terminal type(端子形态): WS=S/T DIP、WR=R/A DIP					(7) Packing(包装): 0=PE Bag、R=Reel				
(4) Positions(位数): 02=2P.....36=36P					(8) Running number(流水码): C=Breakable (TYPE-1) 裁切型 01=6.90、02=3.60、03=8.00 (WS)				

<b>WF2545(A)</b>	-	<b>XX</b>	<b>HI</b>	<b>X</b>	<b>XX</b>	<b>X</b>	<b>XX</b>	<b>X</b>	<b>0</b>	<b>X</b>
(1)		(2)	(3)	(4)	(5)	(6)	(7)	(8)	(9)	(10)
(1) Series (系列): Wafer 2.54mm Series					(6) Contact Material 触头材料: B=Brass黄铜、P=Phosphor bronze磷青铜					
(2) Wire specifications(压线规格): 22=22#AWG、24=24#AWG、26=26#AWG、28=28#AWG					(7) Contact Plating (电镀): Blank=Tin、S4=15U"Gold/Tin					
(3) Type(类型): IDC Type					(8) Color(颜色): T= Natural					
(4) Type of Assemble Cable(组装电缆类型): E=Single-sided owiring(单面布线)、T=Double-sided wiring(双面布线)					(9) Packing(包装): 0=PE Bag					
(5) Positions(位数): 02=2P.....30=30P					(10) Running number(流水码): 1=W/T Fool-proof带防呆、2=W/O Fool-proof 无防呆					

Contact Us 联系我们

维峰电子股份有限公司(总部)  
WCON ELECTRONICS CO.,LTD(HQ)  
地址:广东省东莞市虎门镇大宁文明路15号  
Add :No.15,Wenming Road,Daning Community, Humen Town, Dongguan, Guangdong,523930, China

昆山维康电子有限公司  
KUNSHAN WCON ELECTRONICIS CO.,LTD(East of China)  
地址:江苏昆山千灯镇石浦新虹路321号  
Add : No.321, Xinhong Road, Shipu, QiandengTown, Kunshan, Jiangsu, China

合肥维峰电子有限公司  
HEFEI WCON ELECTRONICIS CO.,LTD  
地址:安徽合肥市高新技术开发区绿城科技园E栋2楼  
Add : 2F, Building E, Greentown Science Park,High-tech Development Zone, Hefei, Anhui,China

维康电子(泰国)有限公司  
WCON ELECTRONICS (Thailand) CO.,LTD  
地址:泰国巴真武里府西玛铺县华瓦区洛加纳工业园  
Add: VG3C+H57, Hua Wa, Si Maha Phot District, Prachin Buri 25140, Thailand

销售联系方式 Sales Contacts

国际客户部 International Sales Department  
salesdg01@wcon.com  
salesdg05@wcon.com

大客户专线 Key Account Line  
华南: salesdg28@wcon.com  
华东: salesks@wcon.com

中小客户专线 Small and Medium-sized Account Line  
华南: salesdg10@wcon.com  
华东: salesks01@wcon.com

网络销售 Online sales  
salesdg26@wcon.com



Official Website



Product e-catalog



WeChat Public#



TikTok Public#