

HSF

NOTES:

Rated Current:5.0AMP.(20°C,3*2P-3*15P)
 3.0AMP.(20°C,3*16P-3*40P) A3

Contact Resistance:20mΩ Max.

Withstand Voltage:1000V AC/DC

Insulation Resistance:1000MΩ Min.

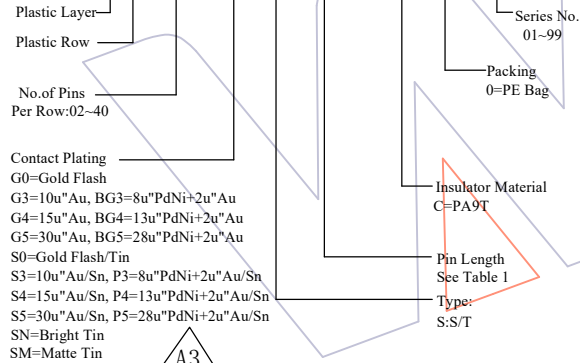
Operation Temperature:-40°C to +125°C(Gold Plating)
 -40°C to +105°C(Tin Plating) A3

Contact Material:Copper Alloy

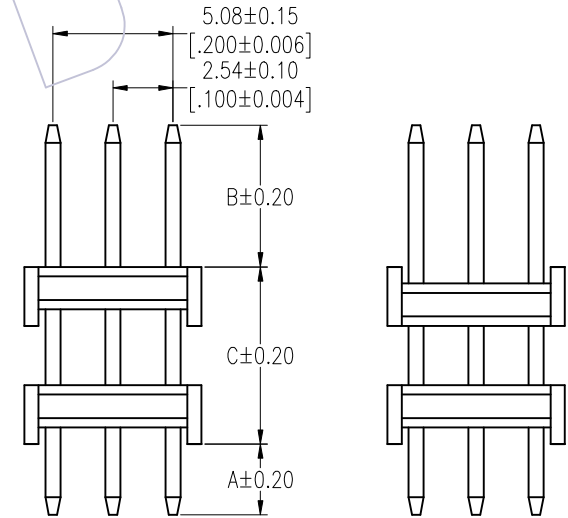
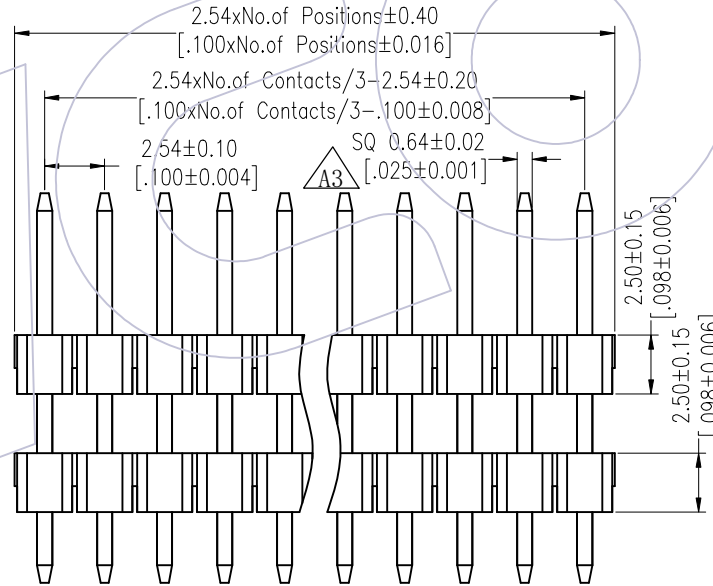
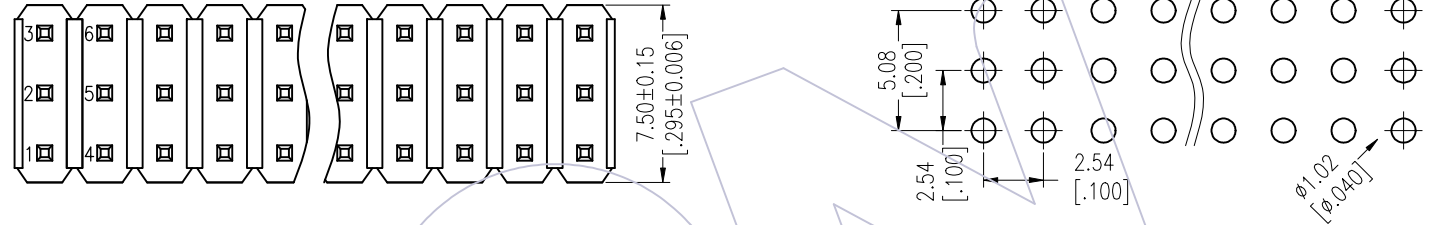
Contact Plating:Au or Sn Over 30u" Min Ni A3
 Insulator Material:PA9T+G.F UL94V-0 BK A3

Ordering Information

1125- 2 3 XX XX S XXX C X XX



Recommended P.C.B Layout (Top Side)
 (PCB BOARD TOLERANCE±0.05)
 (PCB Thickness:T=1.60m)



TYPE 1

TYPE 2

A3	2025/05/26	Standardization Drawing	CP	OPERATION	DRAW	DATE	SCALE	Fit	PART NO.
A2	2018/01/22	Modify P/N	Ruipeng	x.X ±0.40	CP	2025/05/26	UNIT	mm	1125-23XXXXXXXC0XX
A1	2013/02/28	Modify Drawing	William Chen	x.XX ±0.25	CHECK	DATE	SIZE	A4	TITLE:
A0	2012/06/16	NEW	William Chen	x.XXX ±0.15	TANG	2025/05/26	SHEET	1/5	PH2.54 THREE ROW DOUBLE PLASTIC 180° H=2.5
REV	DATE	MODIFICATION DESCRIPTION	CHANGE	Angle ± 3'	APPROVE	DATE	PROJ.		Customer NO.
				DIM TOL	Steven Zhao	2025/05/26			

WCON
 Http: www.wcon.com

WCON-Dongguan Tel: +86 769 85358920 Fax: +86 769 85358915 E-mail: sales@wcon.com
 WCON-Kunshan Tel: +86 512 57468408 Fax: +86 512 57468468 E-mail: salesks@wcon.com

HSF

Packaging Quantity Refers To The Following Table

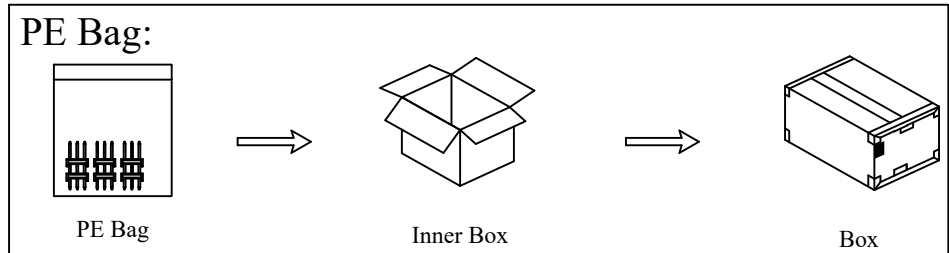
Table 1

Item	L	C	A	B	Mating
Standard	13.0	6.5	3.0	3.5	2135/2150T/2157
	13.5			4.0	2145/2150
	14.5			5.0	2168T/2171T
	15.3			5.84	2171/2185X
	13.5			7.0	3.5
	14.0	4.0			2145/2150
	15.0	5.0			2168T/2171T
	15.8	5.84			2171/2185X
	14.5	8.0			3.5
	15.0			4.0	2145/2150
	16.0			5.0	2168T/2171T
	16.8			5.84	2171/2185X
	15.5			9.0	3.5
	16.0	4.0			2145/2150
	17.0	5.0			2168T/2171T
	17.8	5.84			2171/2185X
	18.5	12.0			3.5
	19.0			4.0	2145/2150
	20.0			5.0	2168T/2171T
	20.8			5.84	2171/2185X
20.5	14.0		3.5	2135/2150T/2157	
21.0		4.0	2145/2150		
22.0		5.0	2168T/2171T		
22.8		5.84	2171/2185X		
Alternate					

Item	L	C	A	B	Mating
Standard	12.0	6.5	2.0 (THR)	3.5	2135/2150T/2157
	12.5			4.0	2145/2150
	13.5			5.0	2168T/2171T
	14.3			5.84	2171/2185X
	12.6			7.0	3.5
	13.0	4.0			2145/2150
	14.0	5.0			2168T/2171T
	14.8	5.84			2171/2185X
	13.5	8.0			3.5
	14.0			4.0	2145/2150
	15.0			5.0	2168T/2171T
	15.8			5.84	2171/2185X
	14.5			9.0	3.5
	15.0	4.0			2145/2150
	16.0	5.0			2168T/2171T
	16.8	5.84			2171/2185X
	17.5	12.0			3.5
	18.0			4.0	2145/2150
	19.0			5.0	2168T/2171T
	19.8			5.84	2171/2185X
19.5	14.0		3.5	2135/2150T/2157	
20.0		4.0	2145/2150		
21.0		5.0	2168T/2171T		
21.8		5.84	2171/2185X		
Alternate					

PINS /Row	Q'ty/Bag (10.0 < L ≤ 16.0)	PINS /Row	Q'ty/Bag (10.0 < L ≤ 16.0)	PINS /Row	Q'ty/Bag (16.0 < L ≤ 22.8)	PINS /Row	Q'ty/Bag (16.0 < L ≤ 22.8)
2	1,000	22	150	2	500	22	80
3	1,000	23	150	3	300	23	50
4	1,000	24	150	4	300	24	50
5	500	25	150	5	300	25	50
6	300	26	100	6	200	26	50
7	500	27	100	7	200	27	50
8	500	28	100	8	200	28	50
9	500	29	100	9	100	29	50
10	300	30	100	10	100	30	50
11	300	31	100	11	100	31	50
12	300	32	100	12	100	32	50
13	300	33	100	13	100	33	50
14	300	34	100	14	100	34	50
15	200	35	50	15	100	35	50
16	200	36	50	16	100	36	50
17	200	37	50	17	100	37	50
18	200	38	50	18	80	38	50
19	200	39	50	19	80	39	50
20	200	40	50	20	80	40	50
21	150			21	80		

Peaking:



REV	DATE	MODIFICATION DESCRIPTION	CHANGE	DIM	TOL	APPROVE	DATE	PROJ.	SCALE	Fit	PART NO.	TITLE:	Customer NO.
A3	2025/05/26	Standardization Drawing	CP			OPERATION	DATE		SCALE	Fit	PART NO.	WCON Http: www.wcon.com WCON-Dongguan Tel: +86 769 85358920 WCON-Kunshan Tel: +86 512 57468408 Fax: +86 769 85358915 Fax: +86 512 57468468 E-mail: sales@wcon.com E-mail: salesks@wcon.com	
A2	2018/01/22	Modify P/N	Ruipeng	x.X	±0.40	CP	2025/05/26		UNIT	mm	1125-23XXXXXXCOXX		
A1	2013/02/28	Modify Drawing	William Chen	x.xx	±0.25	CHECK	DATE		SIZE	A4	PH2.54 THREE ROW DOUBLE PLASTIC 180° H=2.5		
A0	2012/06/16	NEW	William Chen	x.xxx	±0.15	TANG	2025/05/26		SHEET	2/2			
REV	DATE	MODIFICATION DESCRIPTION	CHANGE	DIM	TOL	APPROVE	DATE	PROJ.					